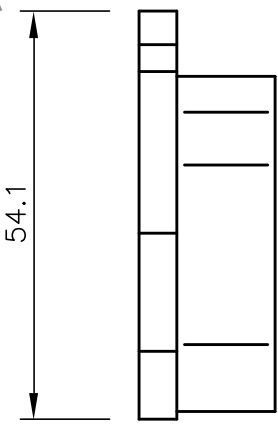
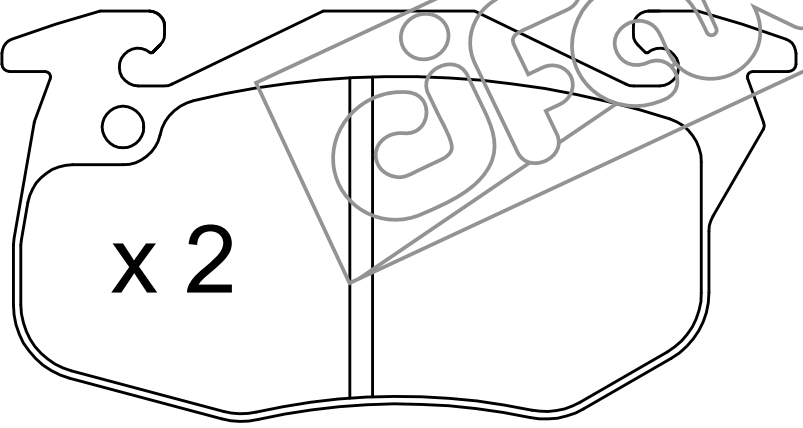
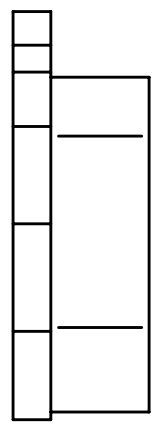
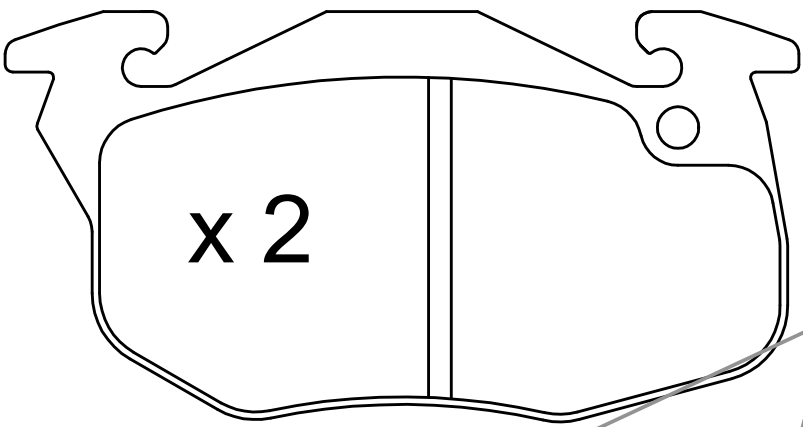


x 2 L = 215

x 2 L = 310



105.1

18

