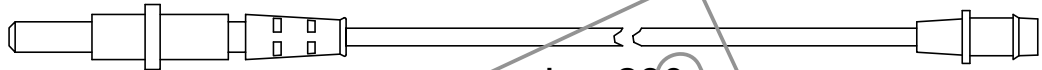
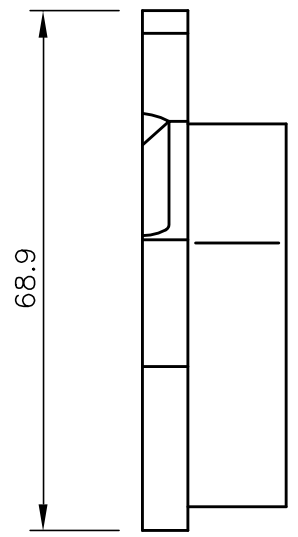
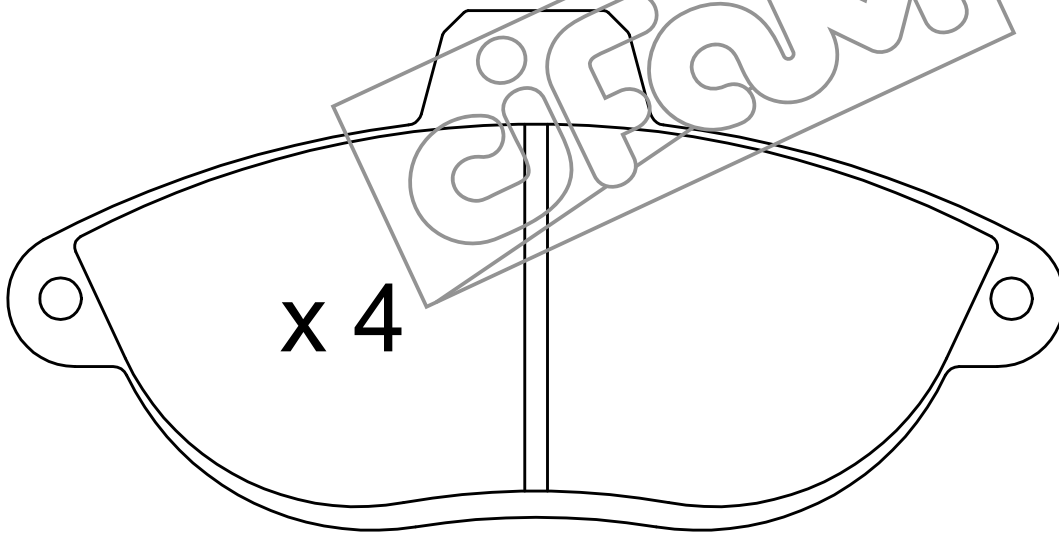


x 2



L = 280

x 4



140

19

