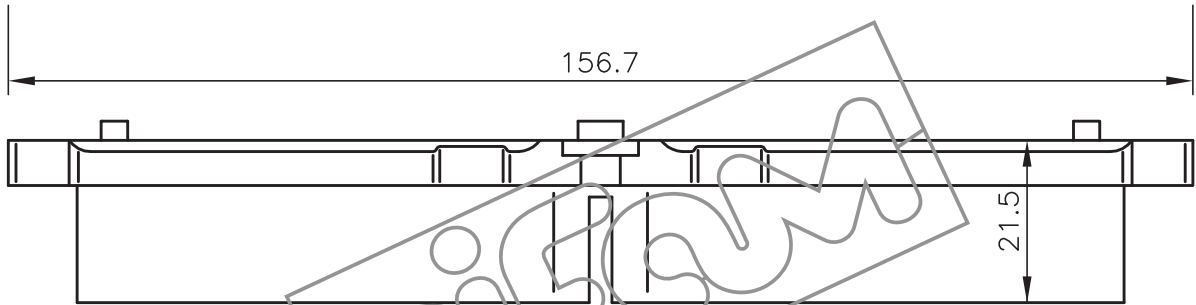
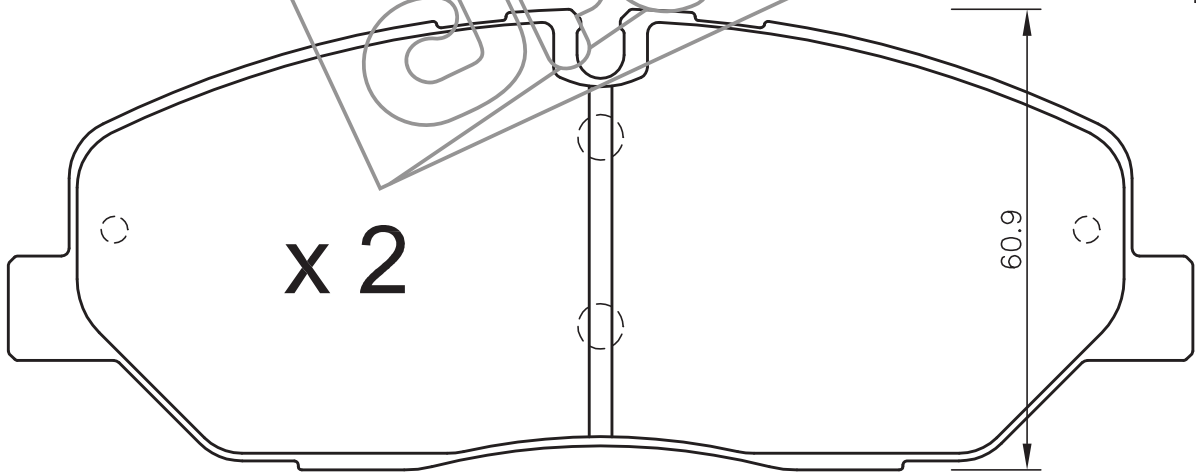


x 2

L = 130



x 2

