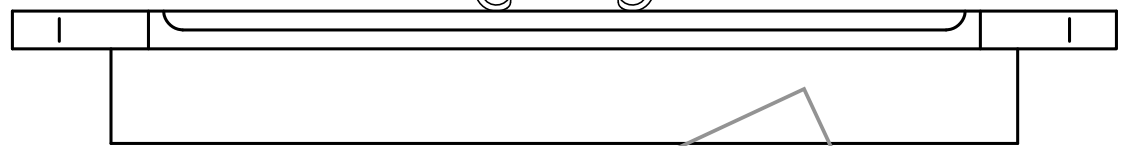
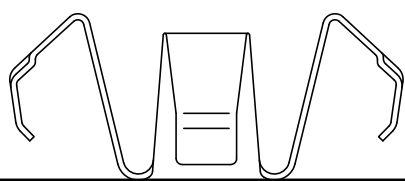
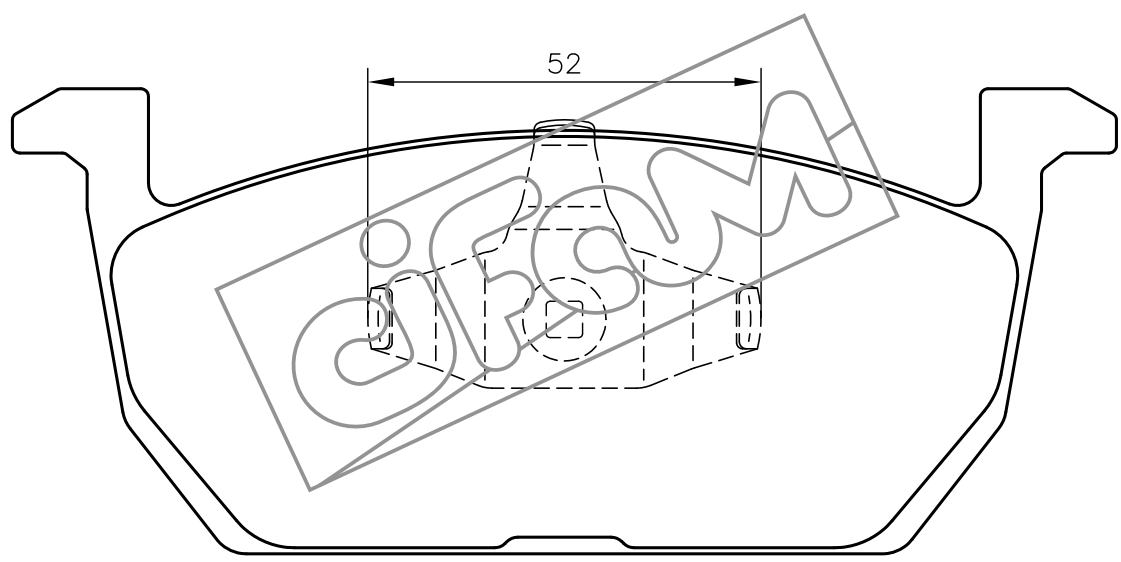
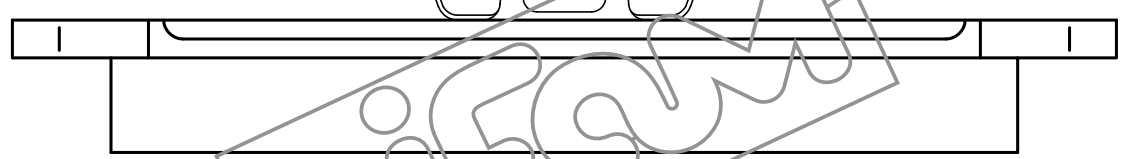
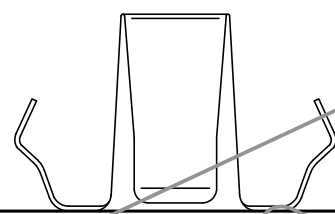
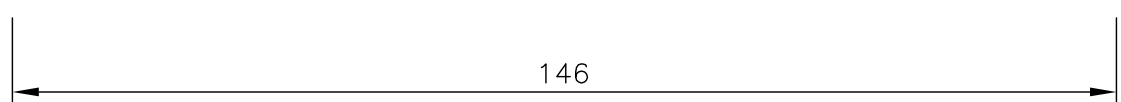
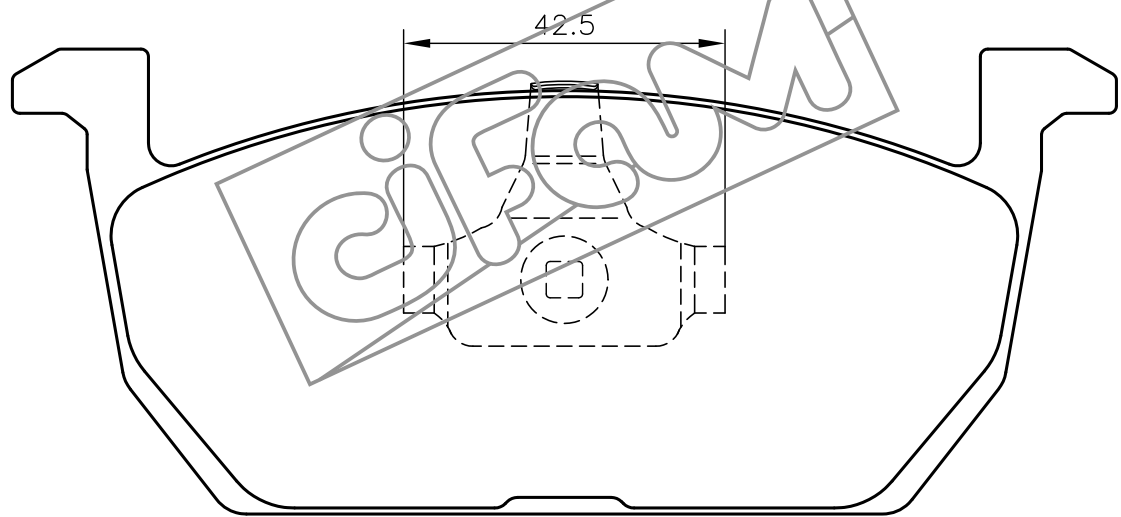


x 2



x 2



61.5

146

17.5