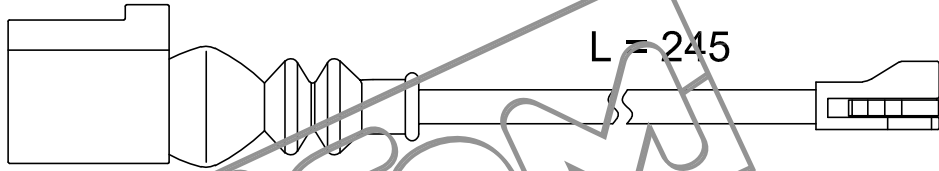
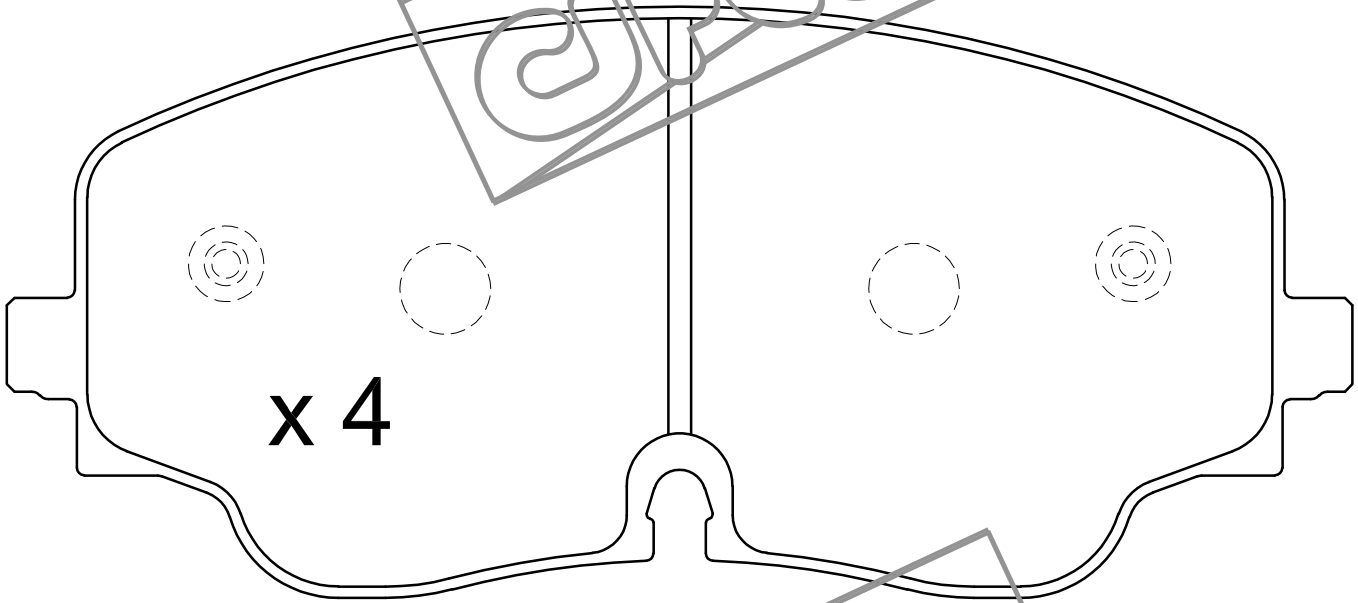


x 1

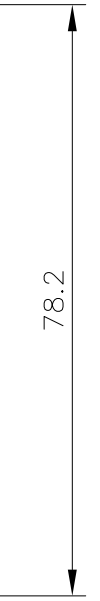
L = 245



x 4



78.2



1/8



18

