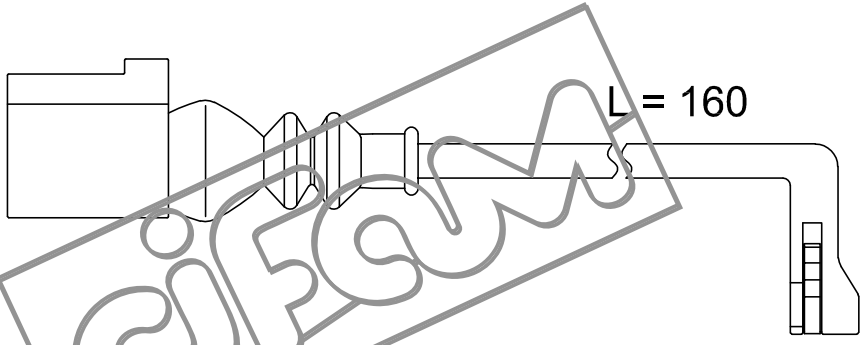
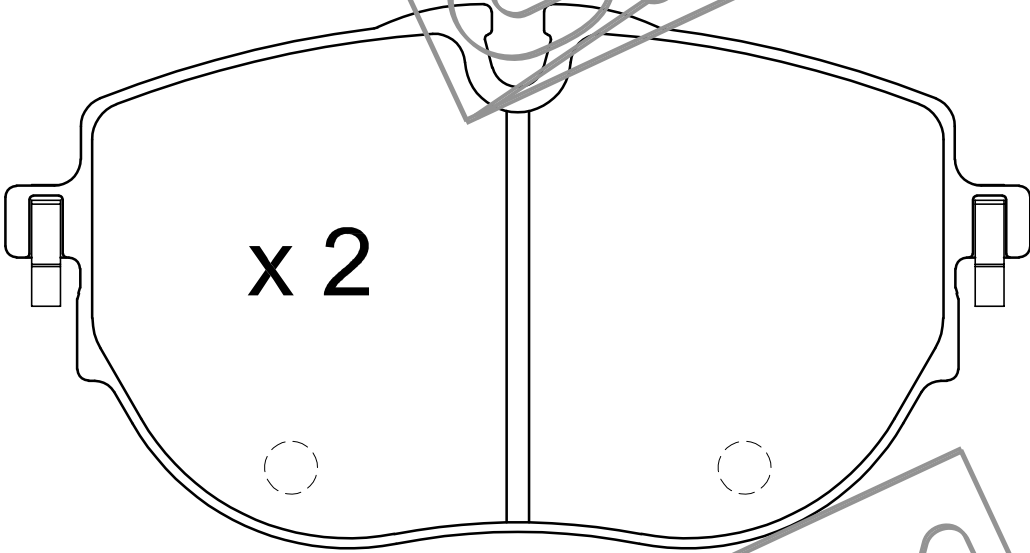


x 1

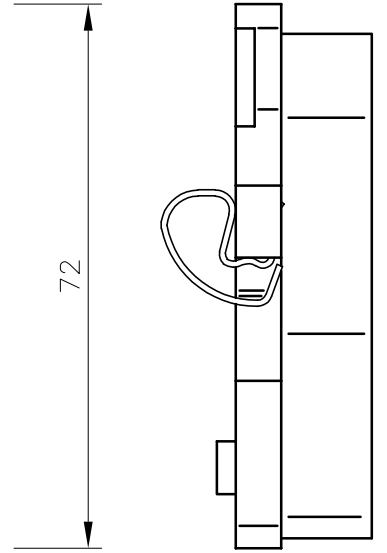
L = 160



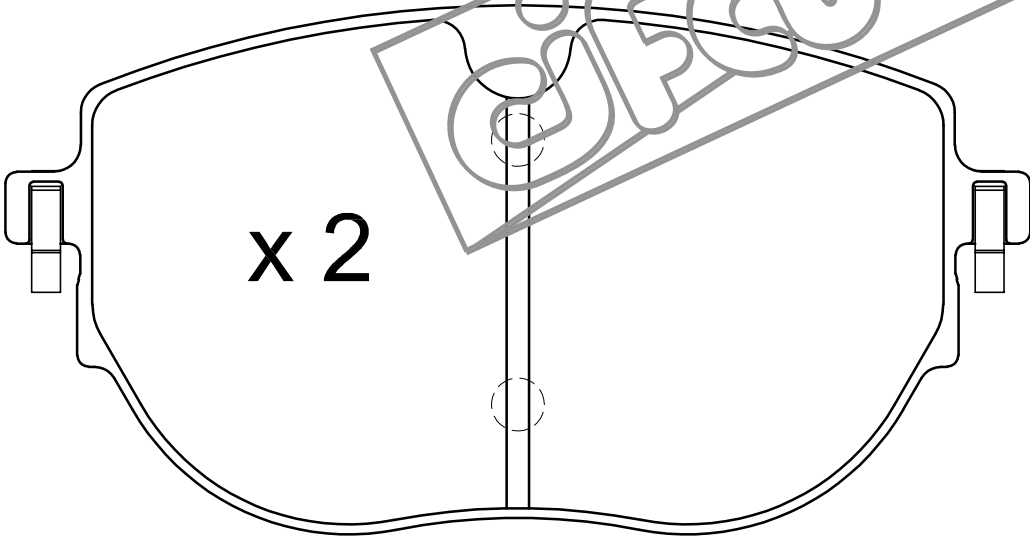
x 2



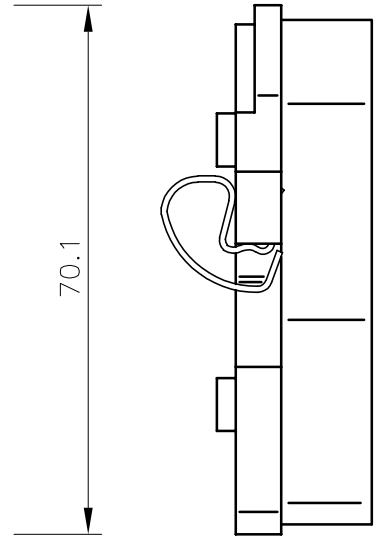
72



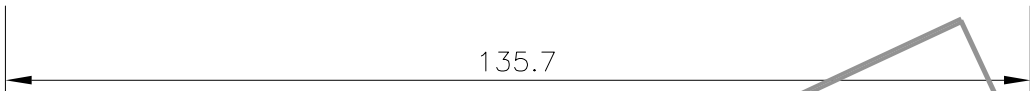
x 2



70.1



135.7



18

