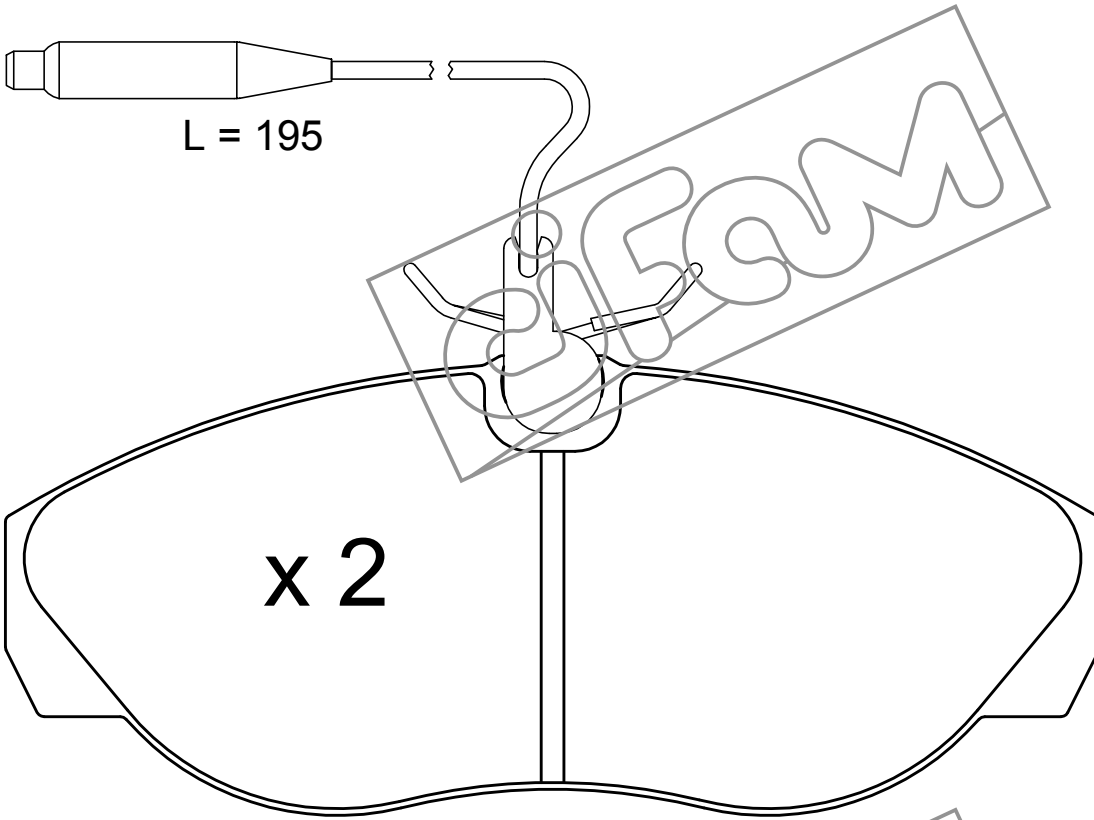
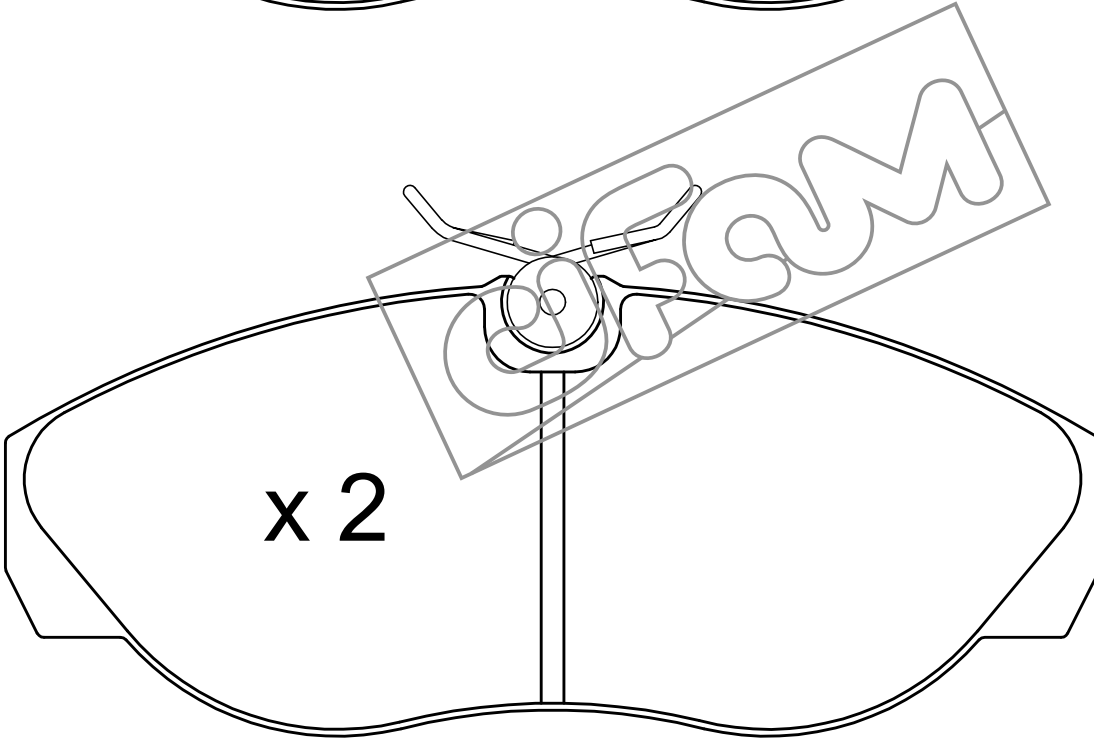
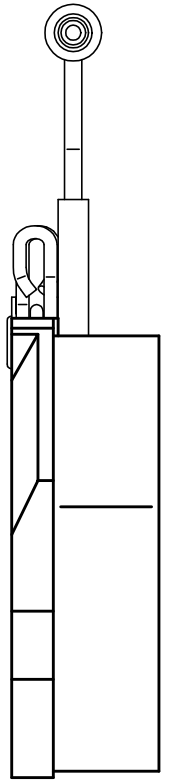


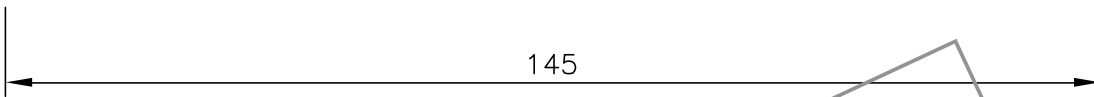
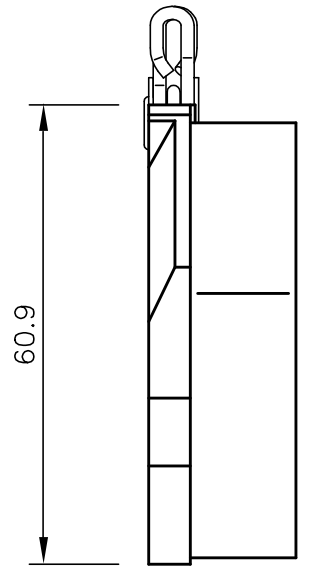
L = 195



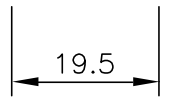
x 2



x 2



145



19.5

