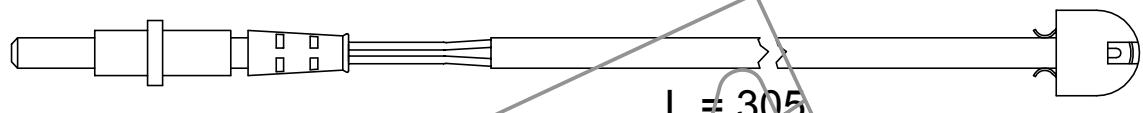
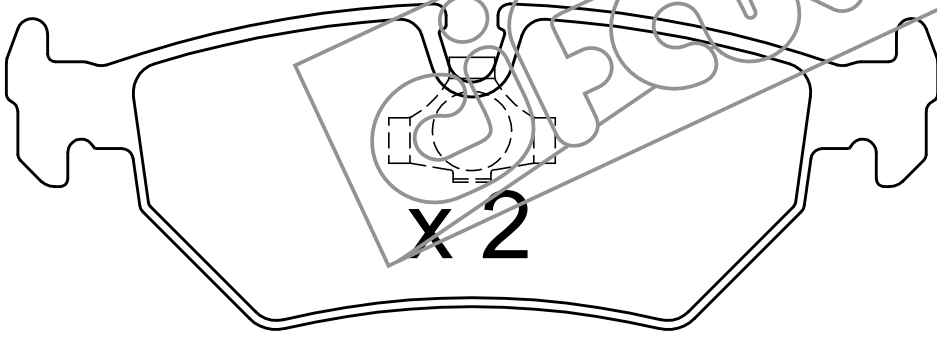


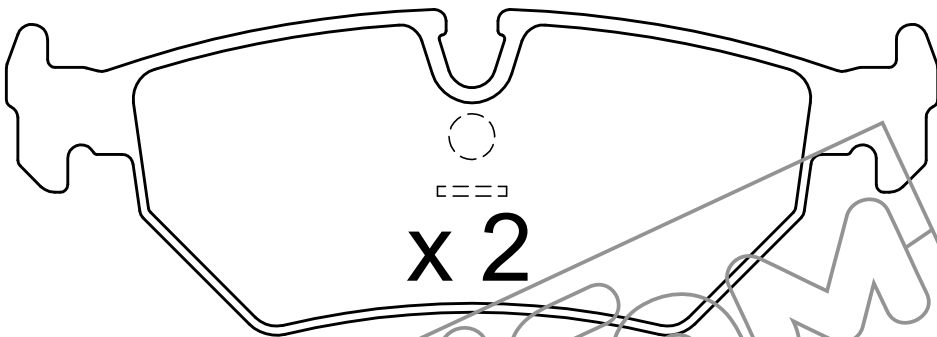
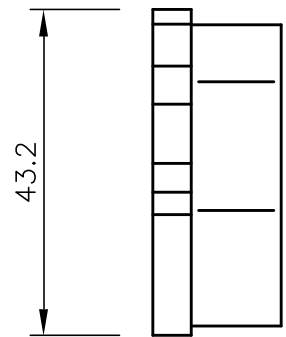
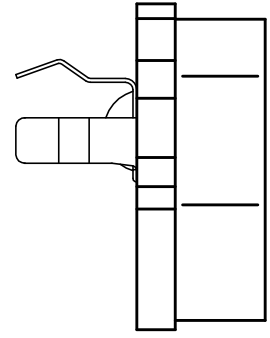
x 2



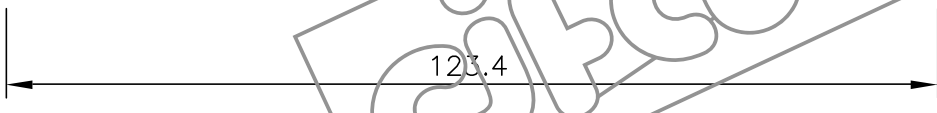
L = 305



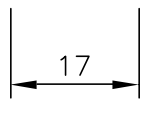
x 2



x 2



123.4



17

