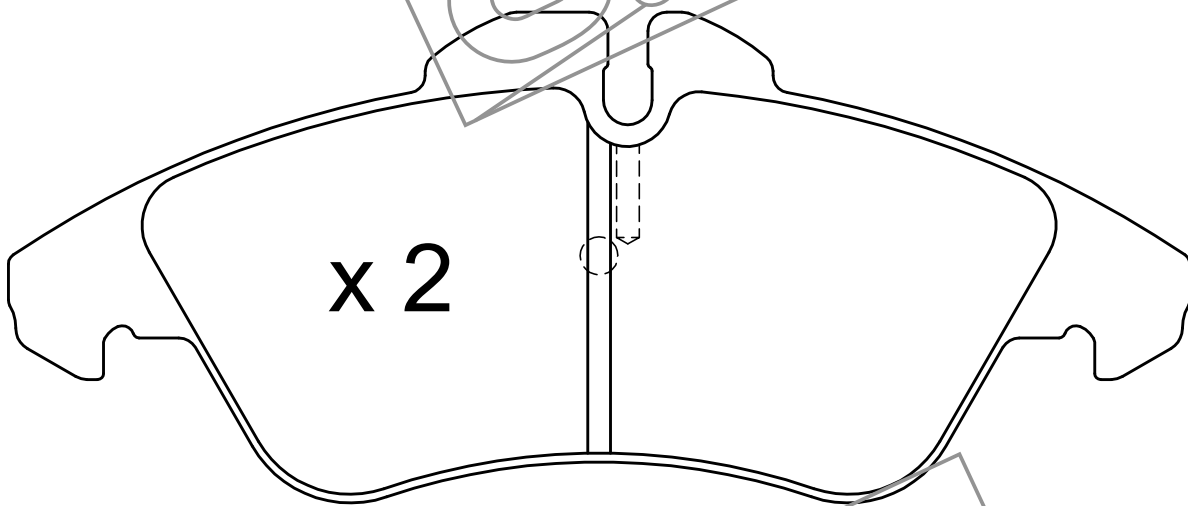
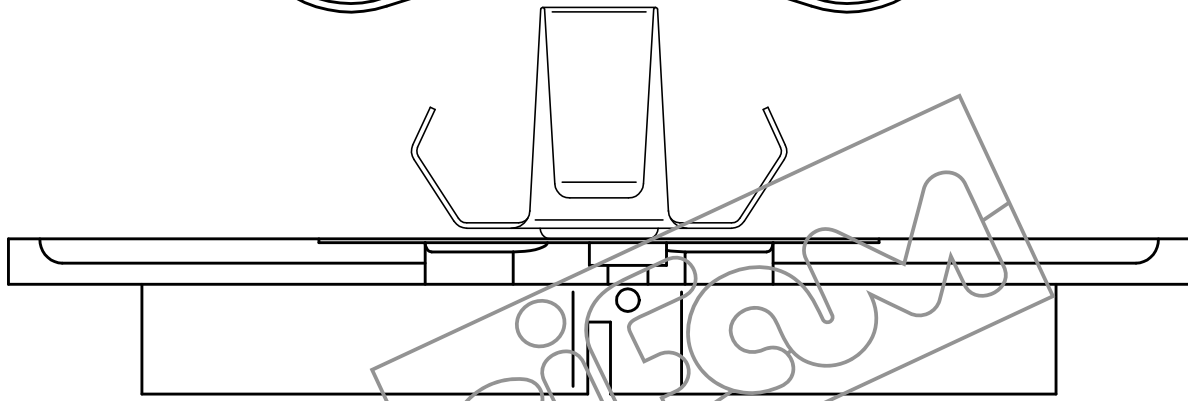
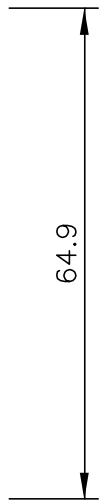


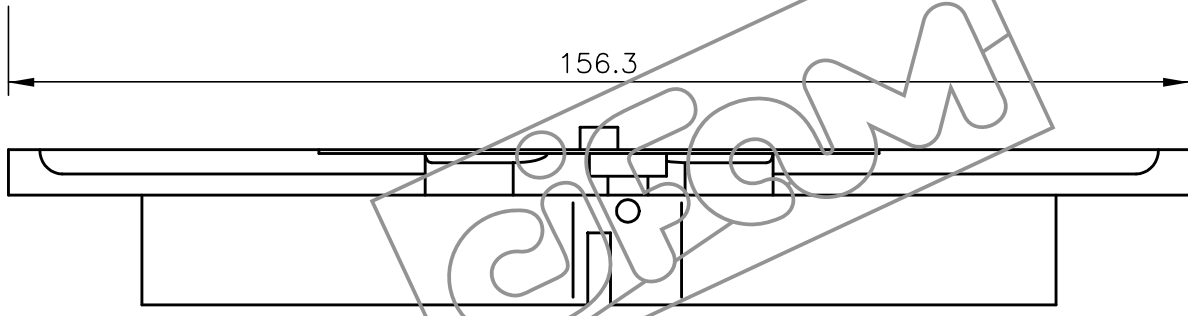
x 2



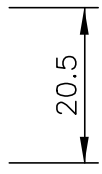
x 2



64.9



156.3



20.5