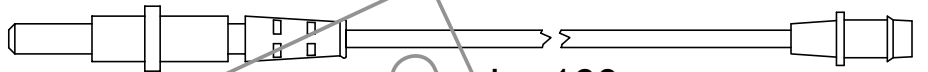


x 2

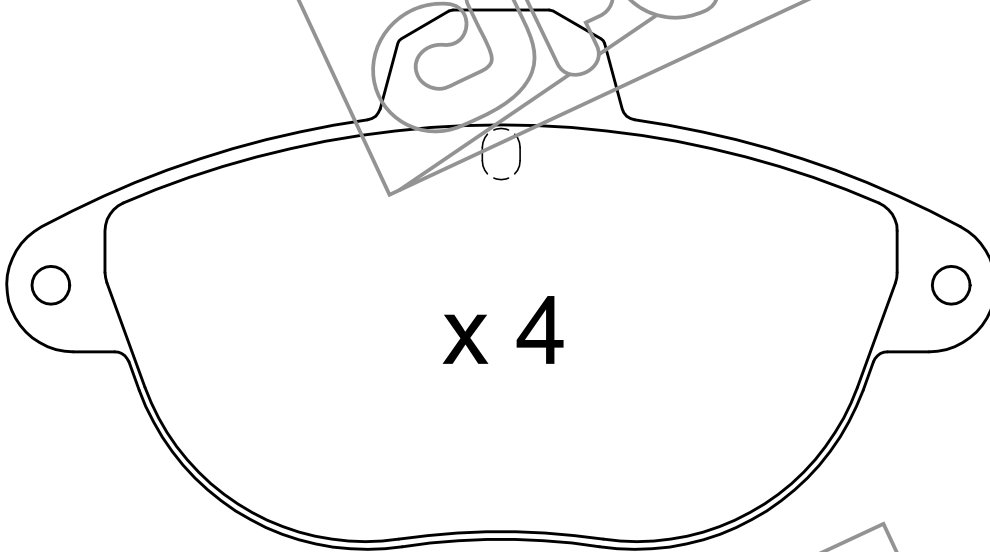


L = 160

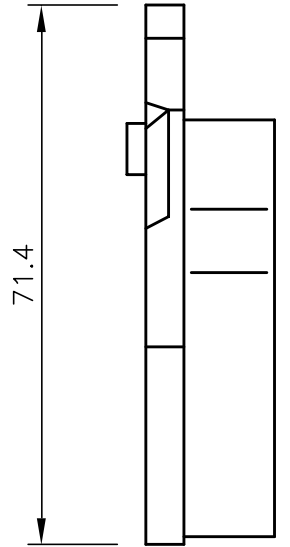
x 2



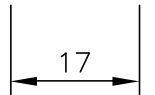
L = 380



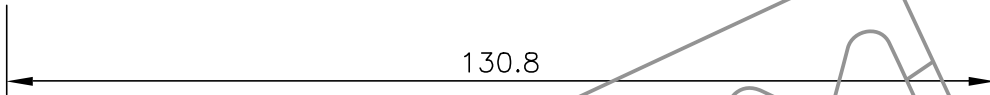
x 4



71.4



17



130.8

