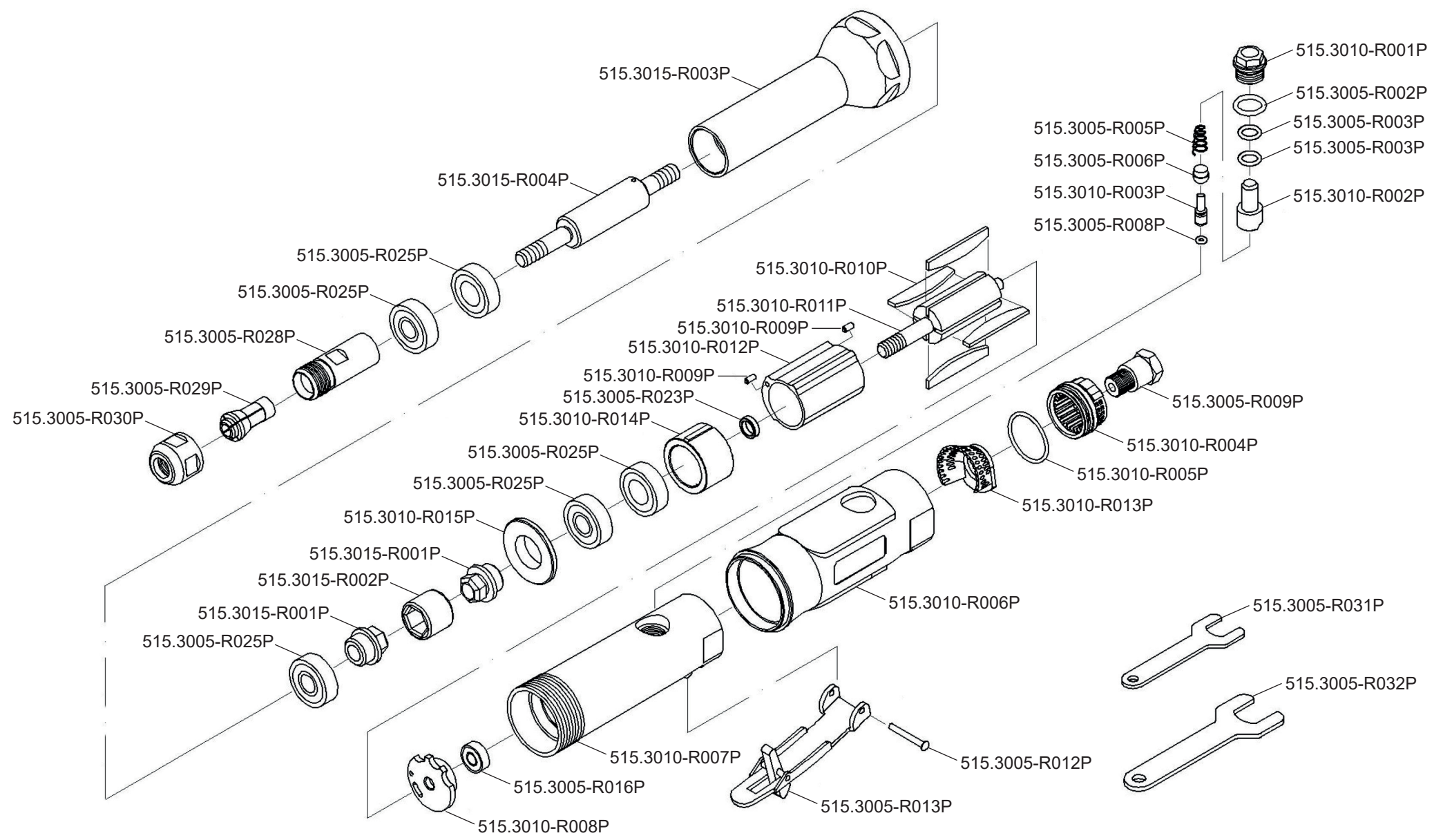


Art. 515.3015



Art. 515.3015

Art.-Nr.	Description	Beschreibung	Menge Qty.
515.3005-R002P	O-Ring for setscrew (P12)	O-Ring P12 für Stellschraube	1
515.3005-R003P	O-Ring for setscrew (P8)	O-Ring P8 für Stellschraube	2
515.3005-R005P	Spring for setscrew	Feder für Stellschraube	1
515.3005-R006P	Valve stem bushing	Ventilbuchse	1
515.3005-R008P	O-Ring (3.5*1.4)	O-Ring (3.5*1.4)	1
515.3005-R009P	Air inlet	Lufteinlass	1
515.3005-R012P	Pin for leven	Splint für Abzug	1
515.3005-R013P	Lever with safetylock	Abzug mit Sicherheitsverriegelung	1
515.3005-R016P	Bearing (696ZZ)	Kugellager (696ZZ)	1
515.3005-R023P	Bearing spacer	Abstandshalter Kugellager	1
515.3005-R025P	Bearing (608ZZ)	Kugellager (608ZZ)	5
515.3005-R028P	Spindle	Spindel	1
515.3005-R029P	Collet	Klemmhülse	1
515.3005-R030P	Collet nut	Klemmhülsenmutter	1
515.3005-R031P	Spanner 14mm	Schlüssel 14mm	1
515.3005-R032P	Spanner 19mm	Schlüssel 19mm	1
515.3010-R001P	Setscrew	Stellschraube	1

Art.-Nr.	Description	Beschreibung	Menge Qty.
515.3010-R002P	Air regulator	Lufteinlassregulierung	1
515.3010-R003P	Valve stem	Ventilstift	1
515.3010-R004P	Exhaust sleeve	Abluffführung	1
515.3010-R005P	O-Ring (26.7*1.78)	O-Ring (26.7*1.78)	1
515.3010-R006P	Protection rubber	Gummischutzhülle	1
515.3010-R007P	Housing	Gehäuse	1
515.3010-R008P	Rear rotor plate	Hintere Rotoraufnahme	1
515.3010-R009P	Spring pin	Splint	2
515.3010-R010P	Rotor blade	Rotorblatt	4
515.3010-R011P	Rotor	Rotor	1
515.3010-R012P	Rotor housing	Rotorgehäuse	1
515.3010-R013P	Cone muffler	Innenring Dämpfer	1
515.3010-R014P	Front bearing plate	Vordere Kugellageraufnahme	1
515.3010-R015P	Guiding ring	Führungsring	1
515.3015-R001P	Coupling nut	Kupplungsnuss	2
515.3015-R002P	Coupling	Verbindungsnuss	1
515.3015-R003P	Spindle housing	Spindelgehäuse	1
515.3015-R004P	Shaft	Antriebswelle	1