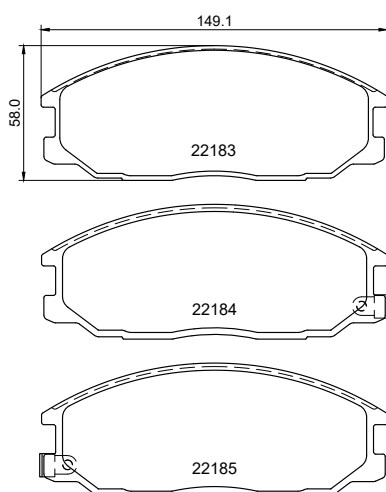


Replacement of 8DB355023-281 by 8DB355009-991

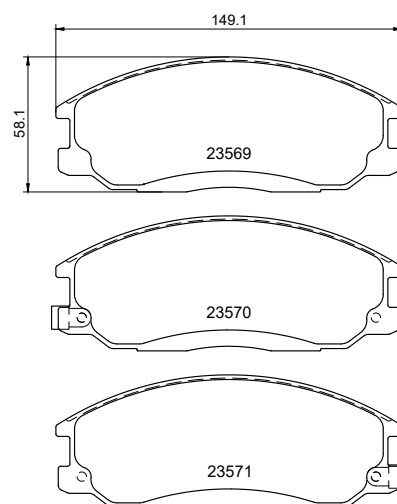
Hella Pagid is now able to harmonize the references 8DB355023-281 by 8DB355009-991.
It was proven that 8DB355009-991 can also cover the applications of 8DB355023-281.
Therefore Hella Pagid will replace 8DB355023-281 by 8DB355009-991.

The main difference between them is the friction material shape. Therefore there will be no difficulties during installation and operation.

8DB355023-281



8DB355009-991



As usual, existing stock of 8DB355023-281 can be sold out without any problems.