

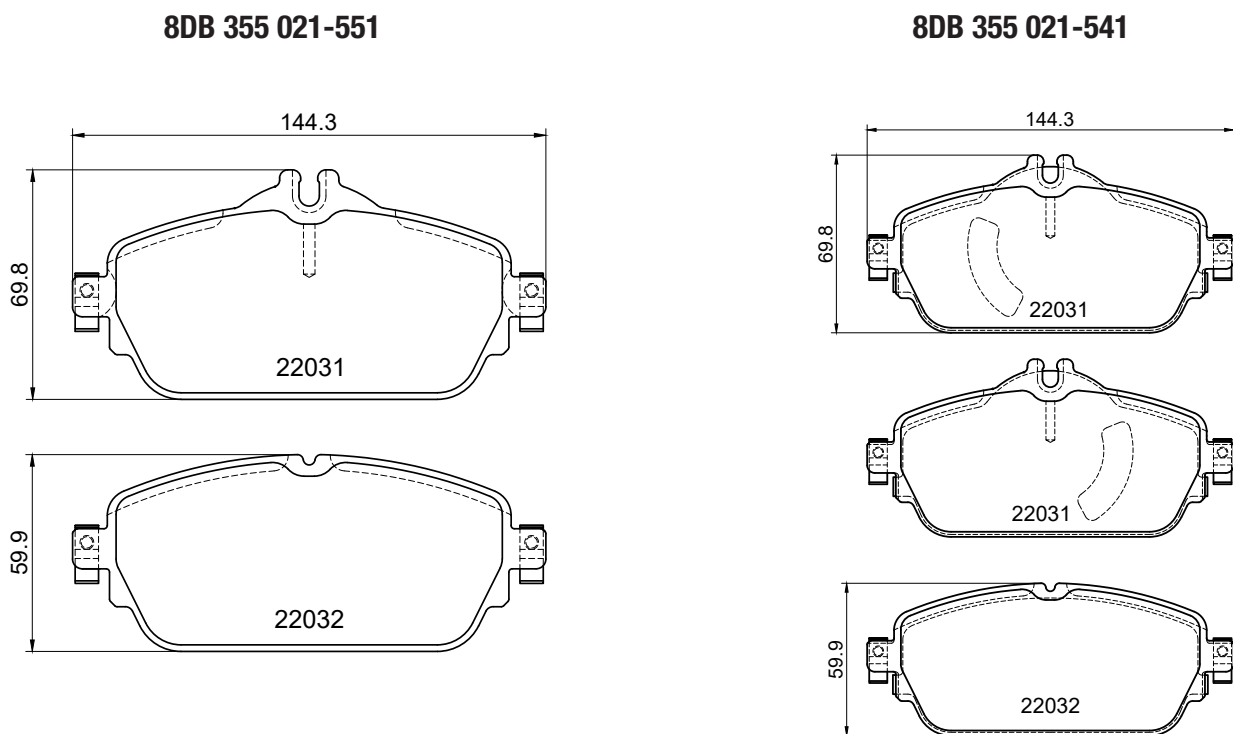
## Replacement of 8DB 355 021-551 with 8DB 355 021-541

Hella Pagid aims to streamline the designation from 8DB 355 021-551 to 8DB 355 021-541.

Since Mercedes also harmonised their versions of the brake pads Hella Pagid is following the same approach.

Given the identical outer dimensions of the brake pads we can ensure seamless assembly and operation. The parts are differing by a cut out in the shim for 8DB 355 021-541 while the adhesive foil for the outer pads will disappear.

This consolidation extends coverage to a broader range of vehicles under a singular reference, namely 8DB 355 021-541 which align more closely to the OE specifications and therefore is able to cover applications of both part numbers.



The current inventory of 8DB 355 021-551 can be effortlessly marketed and sold without any complications.