

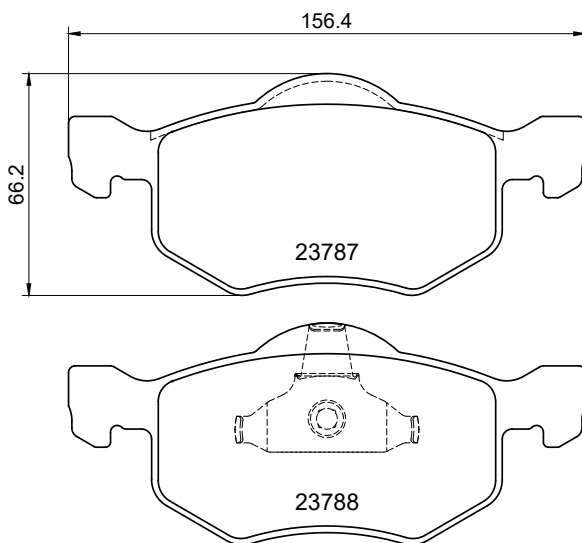
## Replacement of 8DB 3550 39-271 with 8DB 355 010-141

Hella Pagid aims to streamline the designation of 8DB 355 039-271 to 8DB 355 010-141.

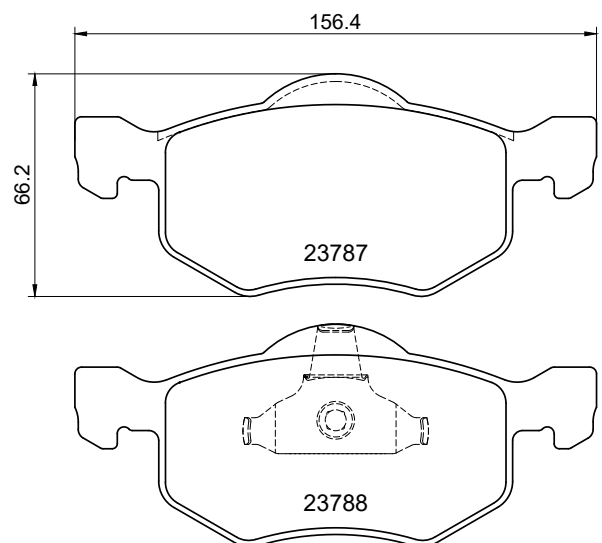
Given the identical outer dimensions of the brake pads we can ensure seamless assembly and operation. The difference between 8DB 355 010-141 and 8DB 355 039-271 is the 8DB 355 010-141 thickness is slightly thinner and the springs will be withdrawn.

This consolidation extends coverage to a broader range of vehicles under a singular reference, namely 8DB 355 010-141 which is already covering applications of both part numbers.

**8DB 3550 39-271**



**8DB 355 010-141**



The current inventory of 8DB 355 039-271 can be effortlessly marketed and sold without any complications.