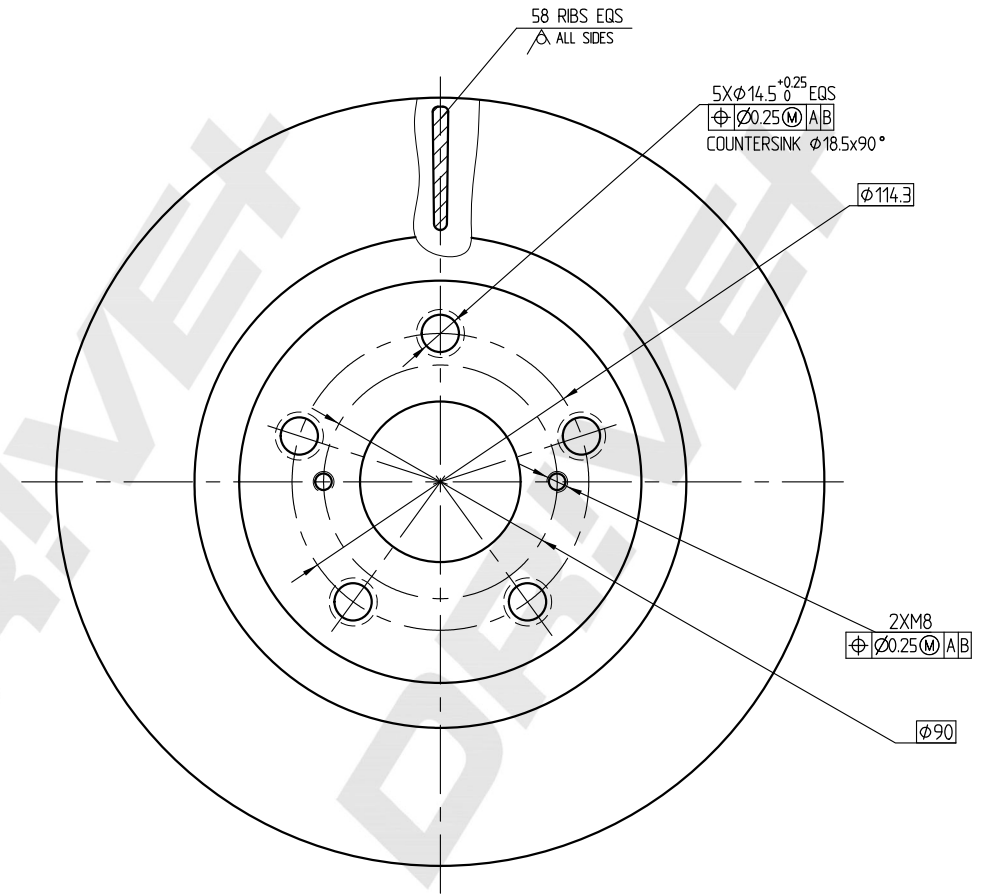


MIN THK 25 MM



DP Number	Part Number	Drawing Version Number	Drawing Issue Date	DRIVET
DP1010.11.0511	DBD0511	V1	2025.04.13	