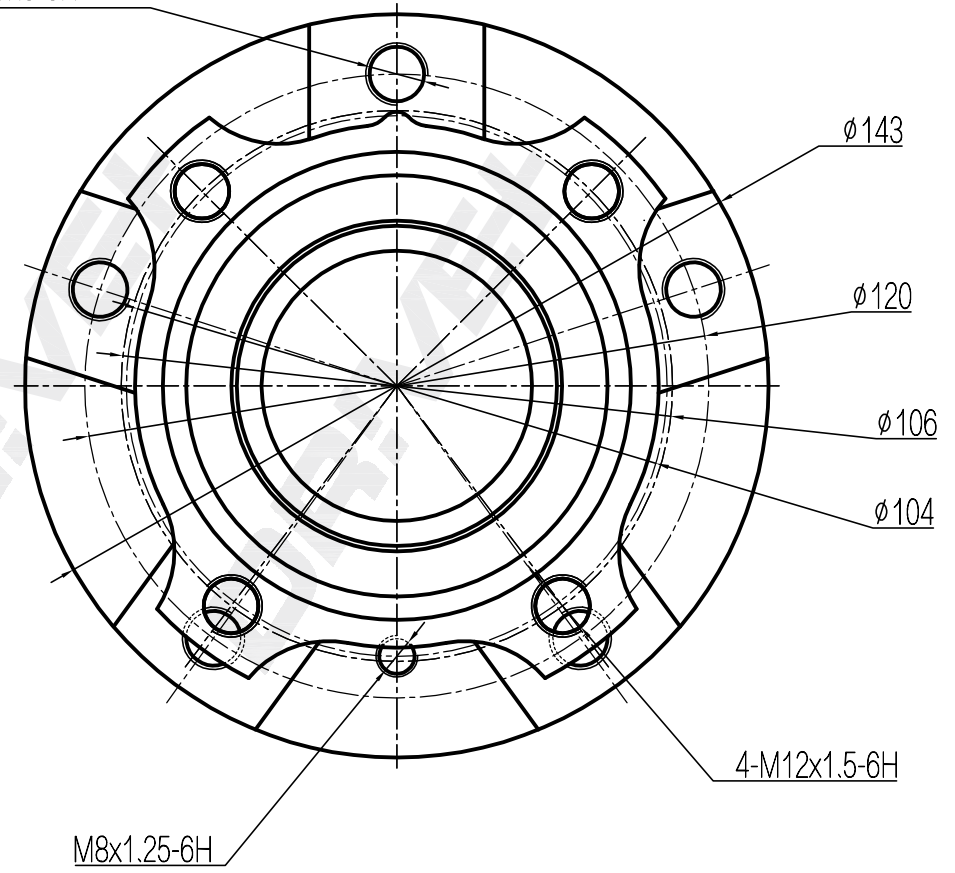


5-M12x1.5-6H



DP Number	Part Number	Drawing Version Number	Drawing Issue Date
DP2010.10.0125	DRW0125	V1	2025.06.02

