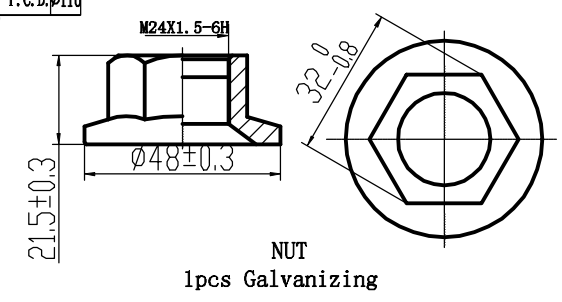
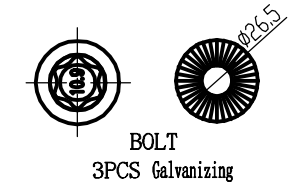
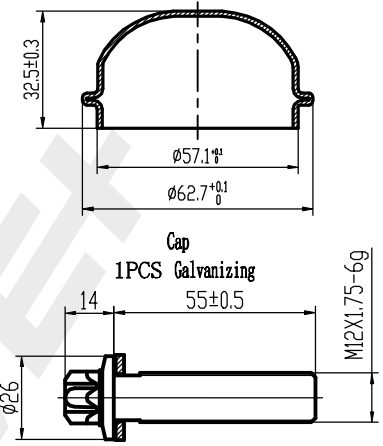
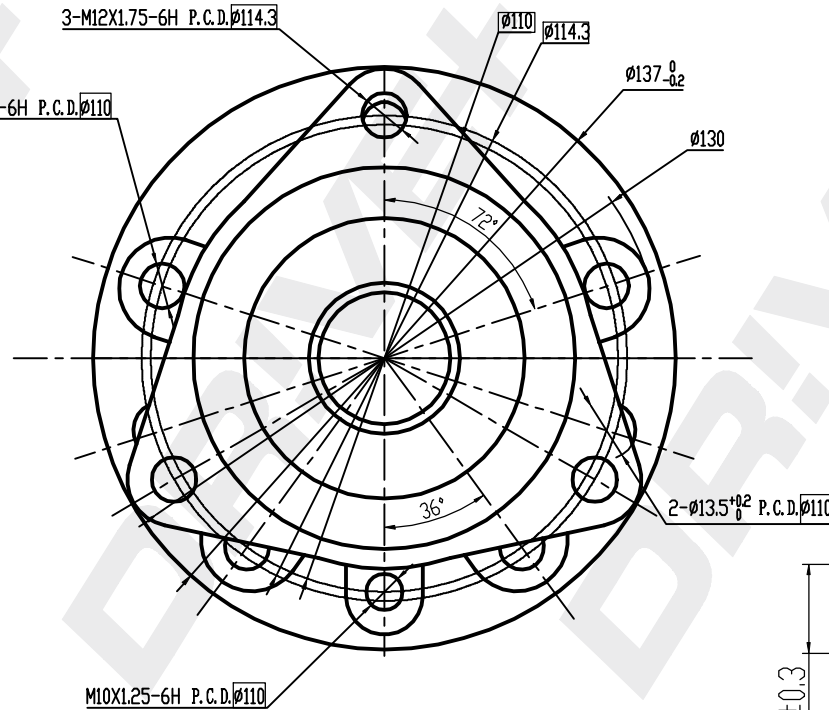


3-M12X1.75-6H P.C.D. $\phi 114.3$
 5-M12X1.5-6H P.C.D. $\phi 110$



DP Number	Part Number	Drawing Version Number	Drawing Issue Date
DP2010.10.0185	DRW0185	V1	2025.06.23

