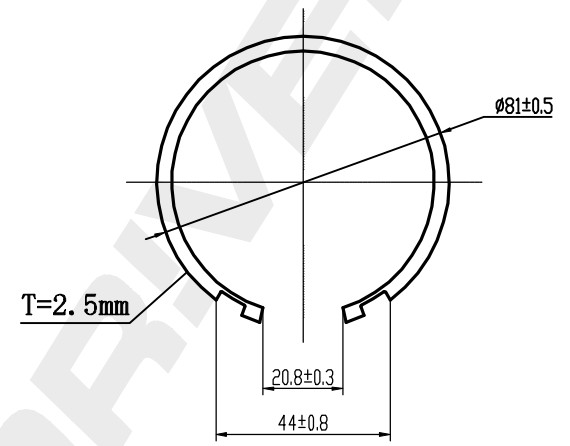


Split  
1pcs Galvanizing



Circlip  
2pcs black

DP Number	Part Number	Drawing Version Number	Drawing Issue Date	<b>DRIVET</b>
DP2010.10.0192	DRW0192	V1	2025.07.03	