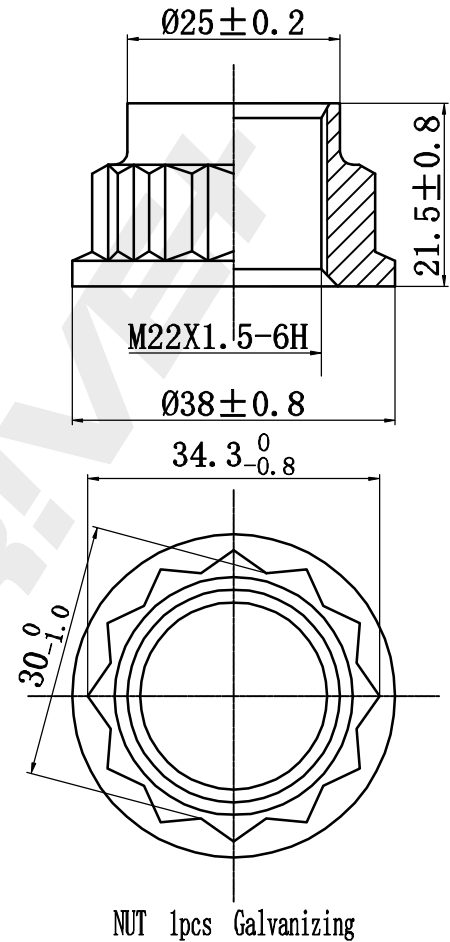
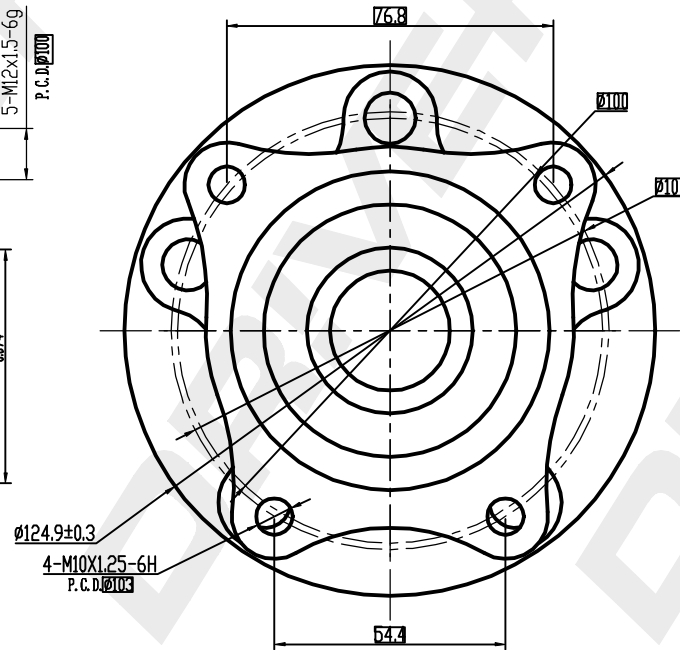
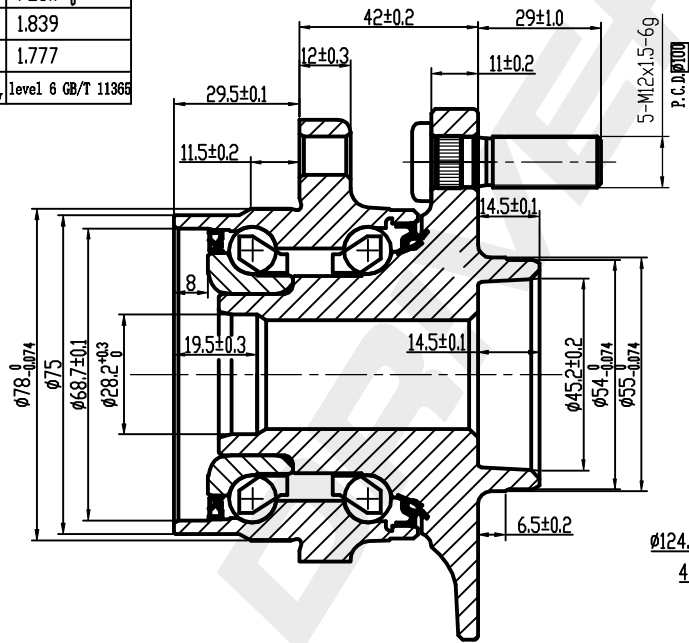


Involute spline parameters	
Modulus	1.0
Teeth	26
Pressure Angle	30°
Dividing circle	Ø26
Diameter of the root	$23.08^{+0.06}_0$ (Ø2)
Large diameter	$27.7^{+0.2}_0$
Path	$25.7^{+0.2}_0$
Max width	1.839
Min width	1.777
Tolerance grade and fit category	level 6 GB/T 11365



DP Number	Part Number	Drawing Version Number	Drawing Issue Date
DP2010.10.0212	DRW0212	V1	2025.06.23

**DRIVET**