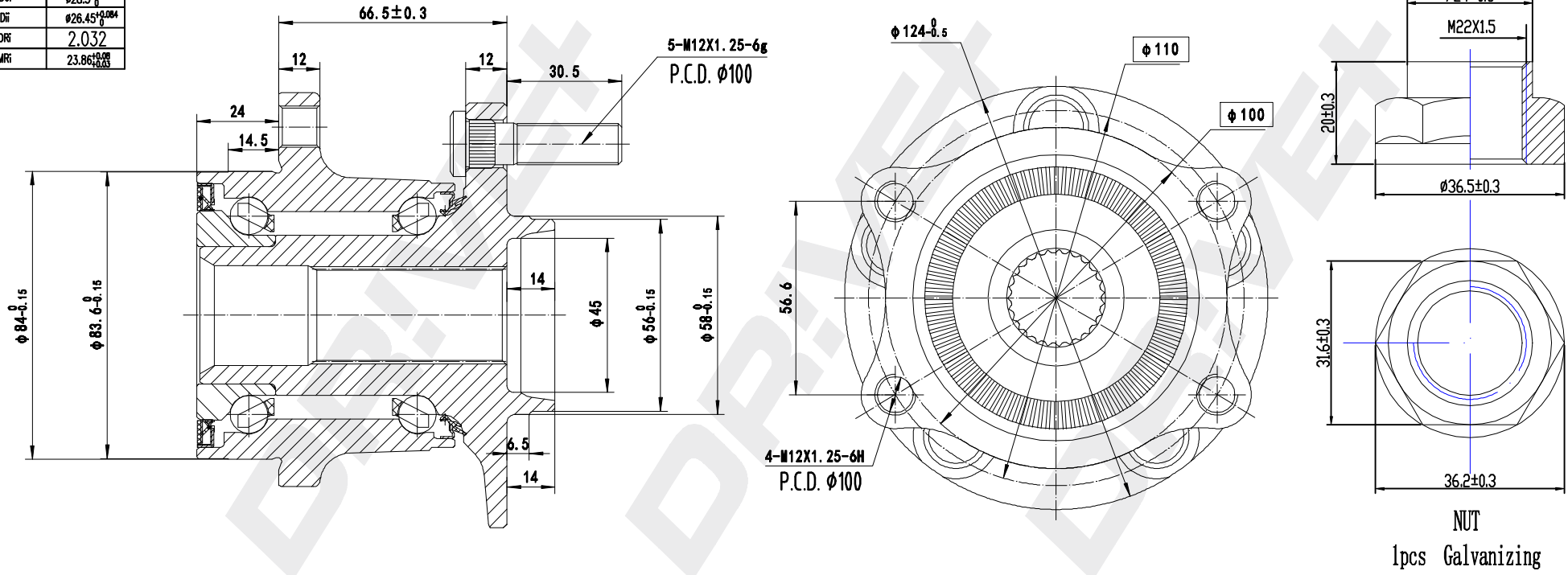


Involute spline	
z	27
m	1
α	45°
D	∅27
Dei	∅28.5 <sup>+0.004</sup> <sub>0</sub>
DiI	∅26.45 <sup>+0.004</sup> <sub>0</sub>
DR	2.032
MFR	23.86 <sup>+0.002</sup> <sub>0</sub>



DP Number	Part Number	Drawing Version Number	Drawing Issue Date
DP2010.10.0243	DRW0243	V1	2025.07.04

