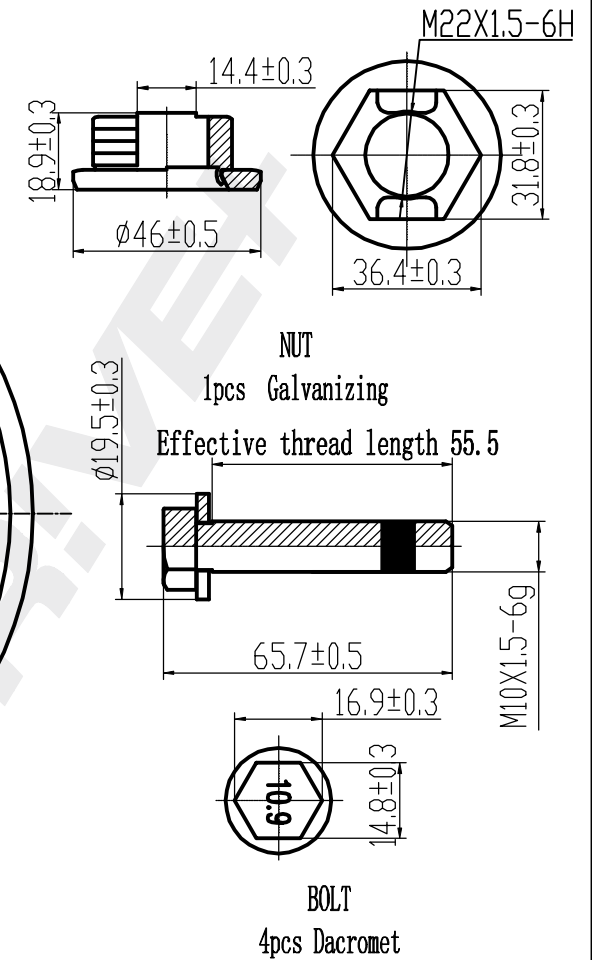
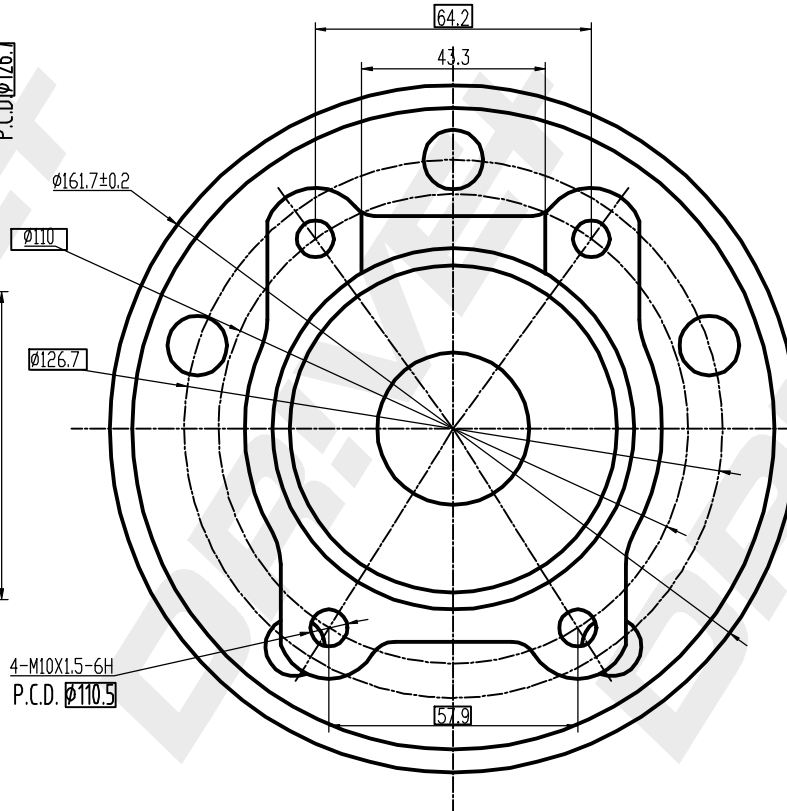
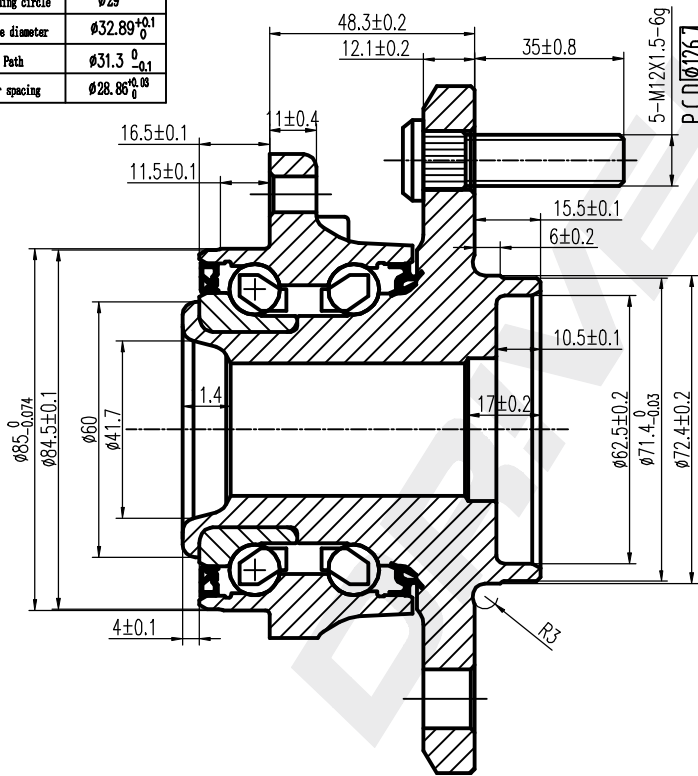


Involute spline	
Teeth	32
Modulus	1.0
Pressure angle	45°
Dividing circle	φ29
Large diameter	φ32.89 ^{+0.1} ₀
Path	φ31.3 ⁰ _{-0.1}
Bar spacing	φ28.86 ^{+0.08} ₀



DP Number	Part Number	Drawing Version Number	Drawing Issue Date
DP2010.10.0295	DRW0295	V1	2025.06.23

DRIVET