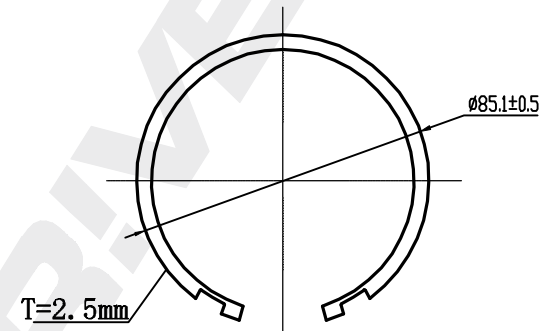


PIN
1pcs Galvanizing



Circlip
1pcs black

DP Number	Part Number	Drawing Version Number	Drawing Issue Date	DR!VET+
DP2010.10.0320	DRW0320	V1	2025.07.04	