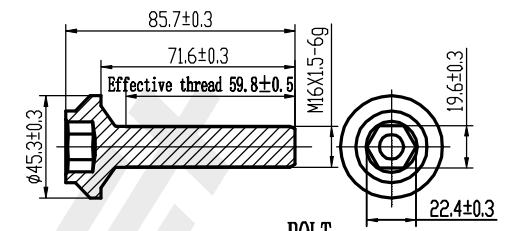
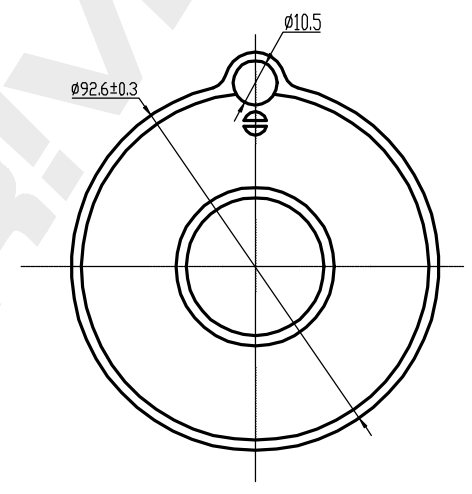
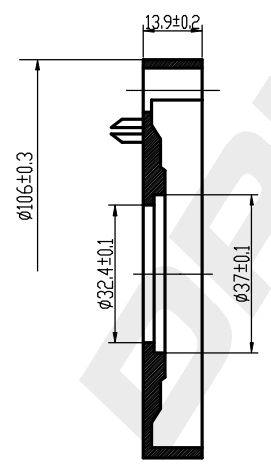


CAP  
1pcs Galvanizing



BOLT  
1pcs Black



Cover Plate 1pcs

DP Number	Part Number	Drawing Version Number	Drawing Issue Date
DP2010.10.0377	DRW0377	V1	2025.08.15

