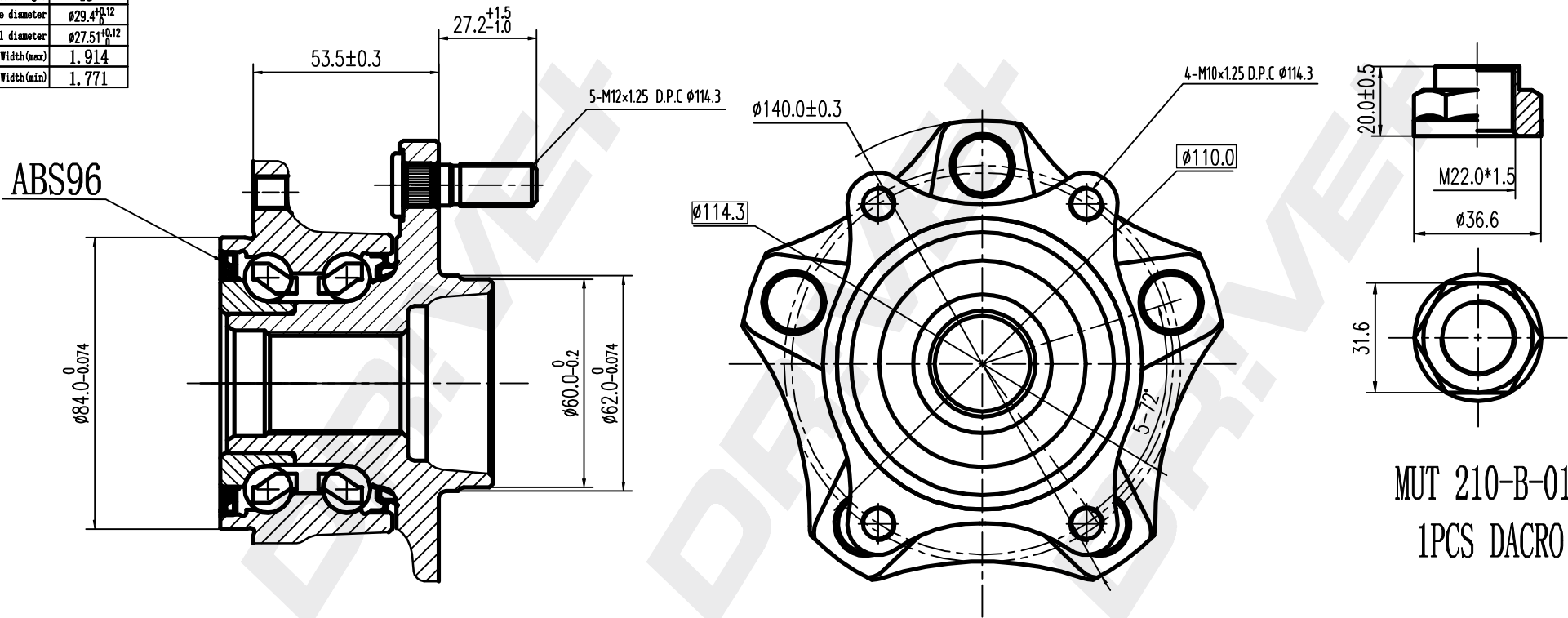


Involute spline	
TEETH	28
Modulus	1
Pressure Angle	45°
Large diameter	$\phi 29.4^{+0.12}_0$
Small diameter	$\phi 27.51^{+0.12}_0$
Slot Width(max)	1.914
Slot Width(min)	1.771



MUT 210-B-010
1PCS DACRO

DP Number	Part Number	Drawing Version Number	Drawing Issue Date	DRIVET
DP2010.10.0464	DRW0464	V1	2025.06.25	