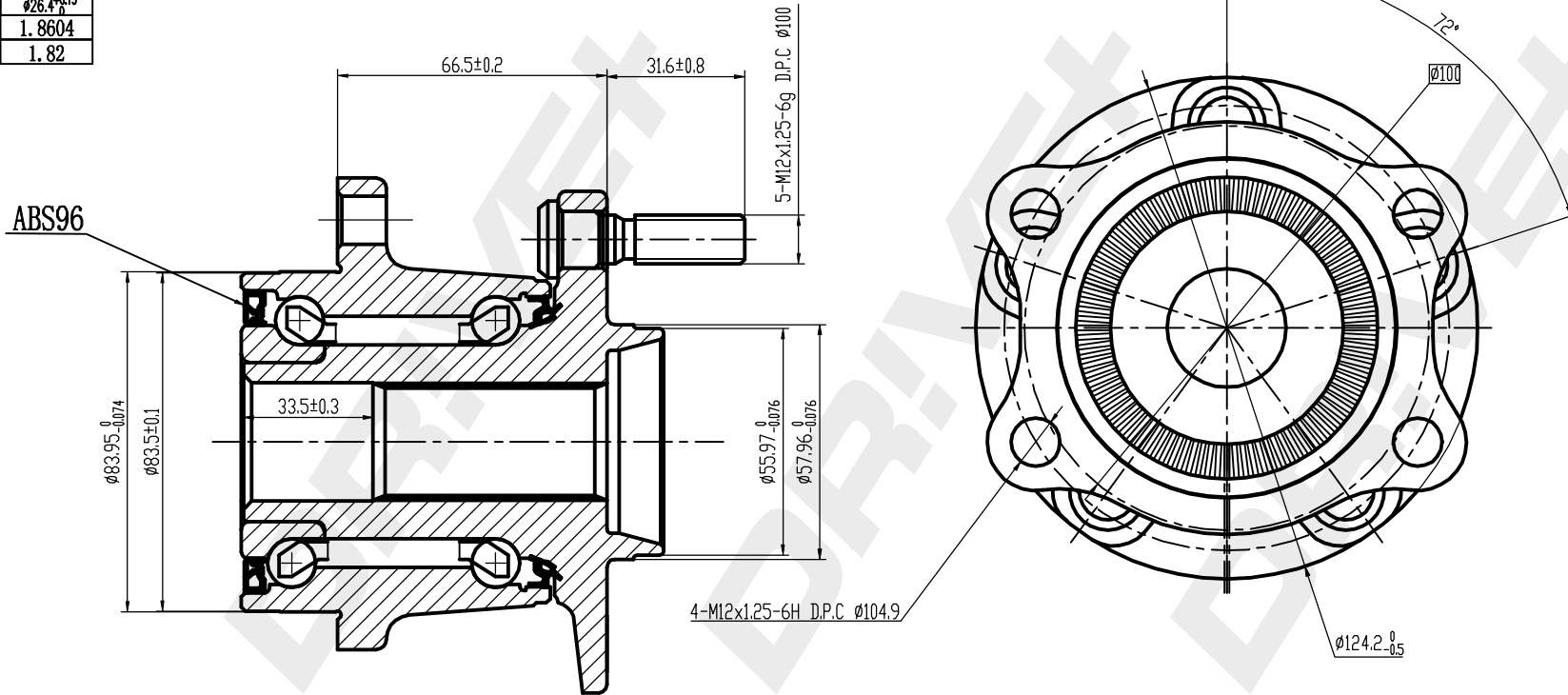


Involute spline	
TEETH	27
Modulus	1
Pressure Angle	45°
Large diameter	$\phi 28.4^{+0.13}$
Small diameter	$\phi 26.4^{+0.13}$
Slot Width(max)	1.8604
Slot Width(min)	1.82



DP Number	Part Number	Drawing Version Number	Drawing Issue Date	DRIVET
DP2010.10.0673	DRW0673	V1	2025.06.24	