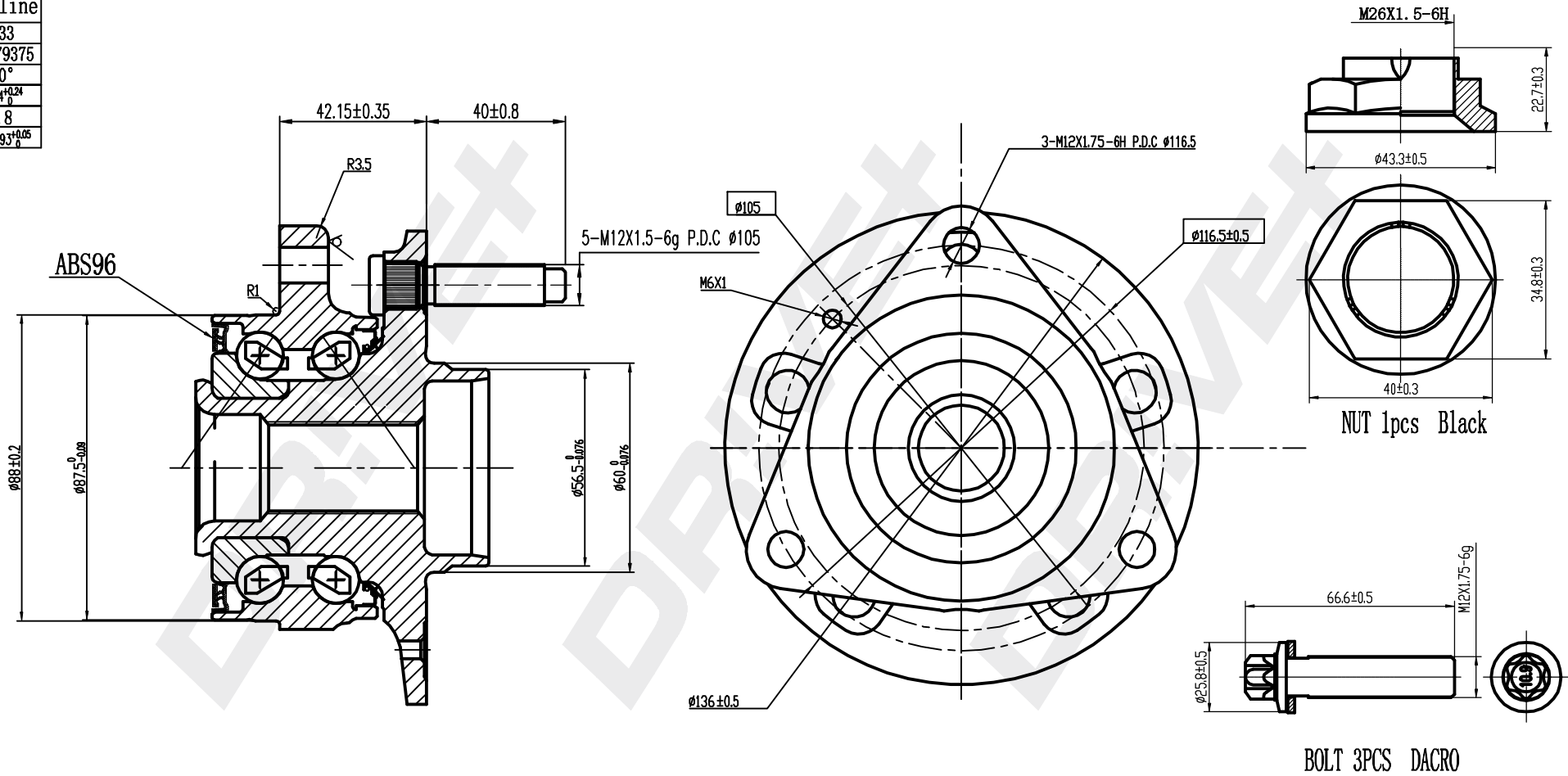


Involute spline	
TEETH	33
Modulus	0.79375
Pressure Angle	30°
Small diameter	$\phi 25.4^{+0.24}_0$
Measuring rod	$\phi 1.8$
Bar spacing	$\phi 22.93^{+0.05}_0$



DP Number	Part Number	Drawing Version Number	Drawing Issue Date	<b>DRIVET</b>
DP2010.10.0788	DRW0788	V1	2025.06.24	