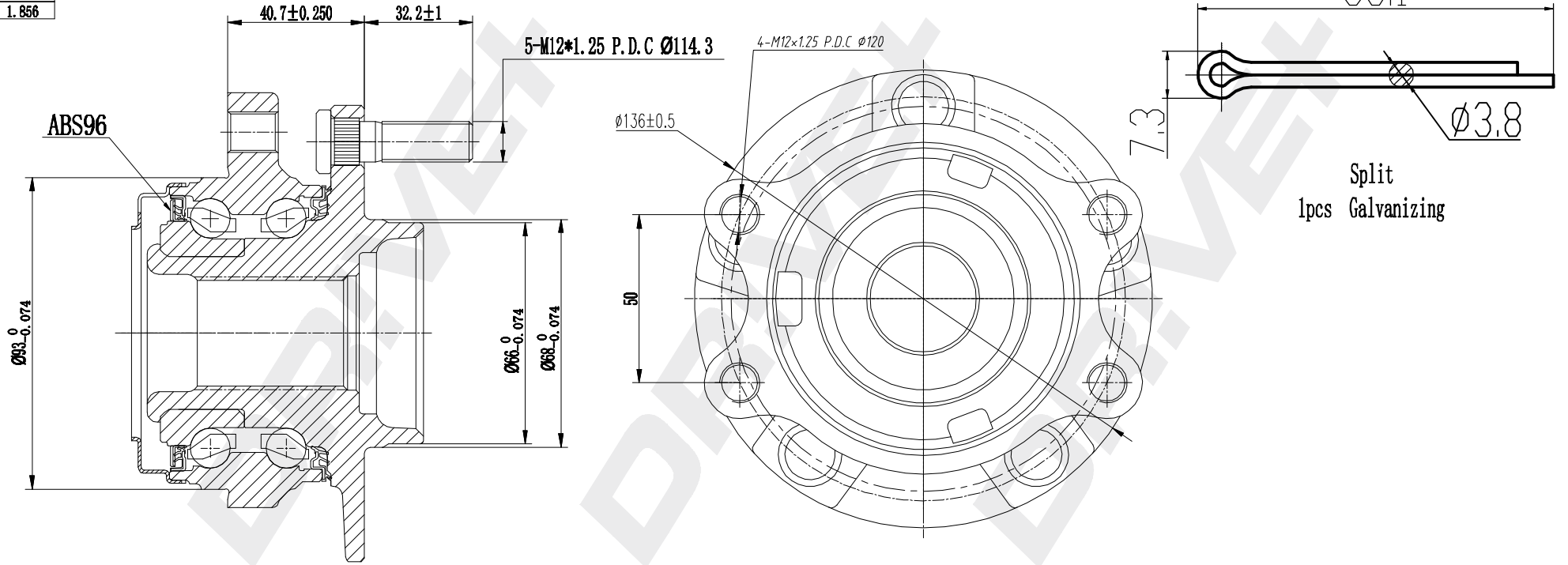


Involute spline

TEETH	32
Module	1
Pressure Angle	45°
Large diameter	$\phi 33.3^{+0.15}_0$
Small diameter	$\phi 31.3^{+0.12}_0$
Slot Width(max)	1.944
Slot Width(min)	1.856



DP Number	Part Number	Drawing Version Number	Drawing Issue Date	DRIVET
DP2010.10.0843	DRW0843	V1	2025.07.18	