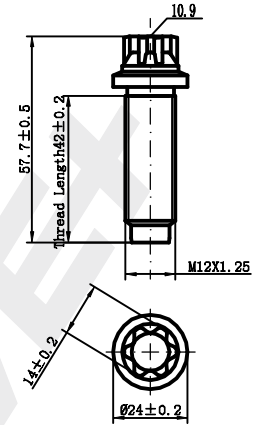
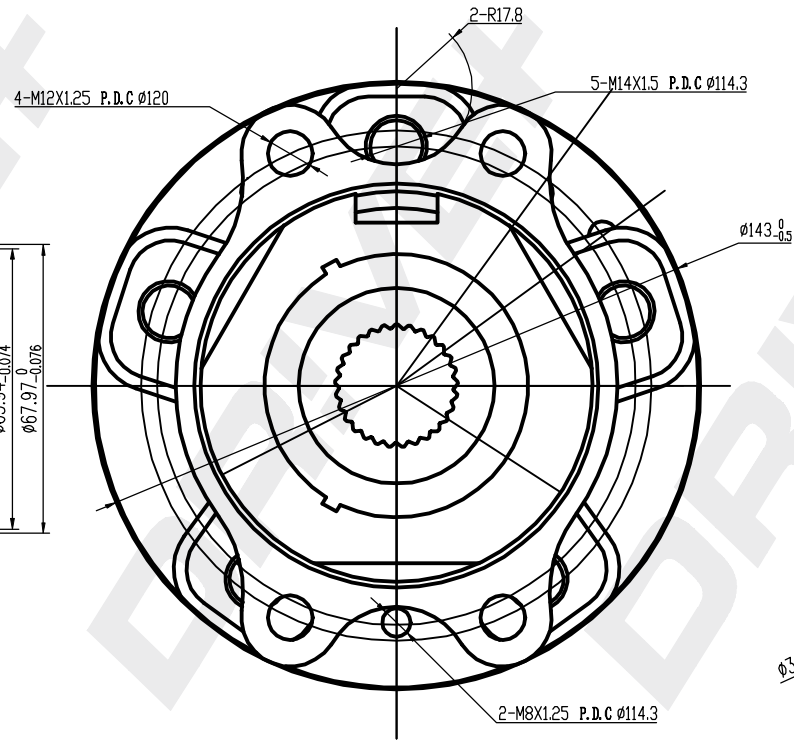
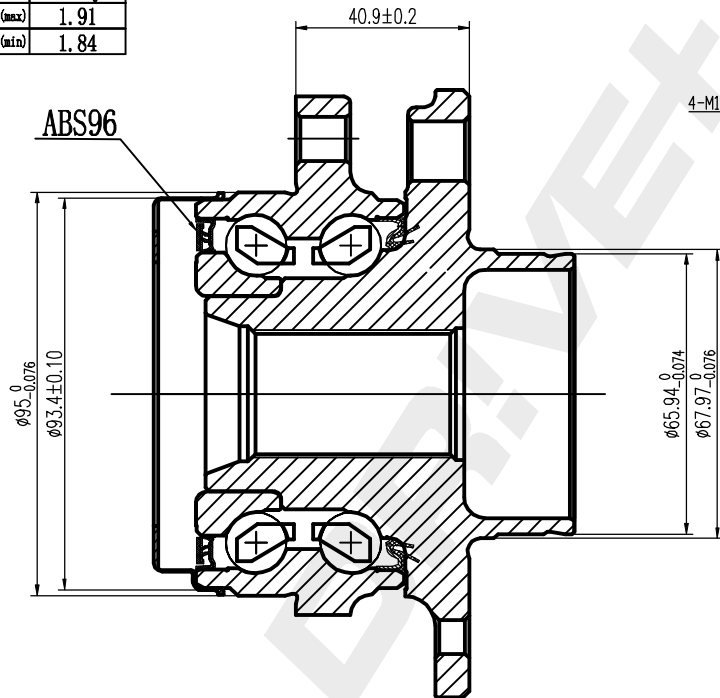
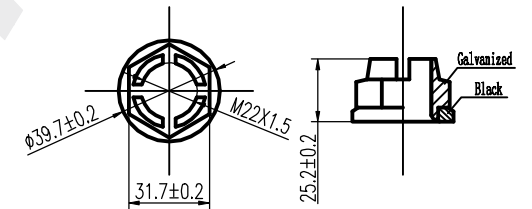


Involute spline	
TEETH	29
Modulus	1
Pressure Angle	45°
Large diameter	ø30.5
Small diameter	ø28.25 ^{+0.2} ₀
Slot Width(max)	1.91
Slot Width(min)	1.84



Bolt 163-F-001
4PCS DACRO



NUT 210-B-002 1PCS

DP Number	Part Number	Drawing Version Number	Drawing Issue Date
DP2010.10.0874	DRW0874	V1	2025.06.24

DRIVET