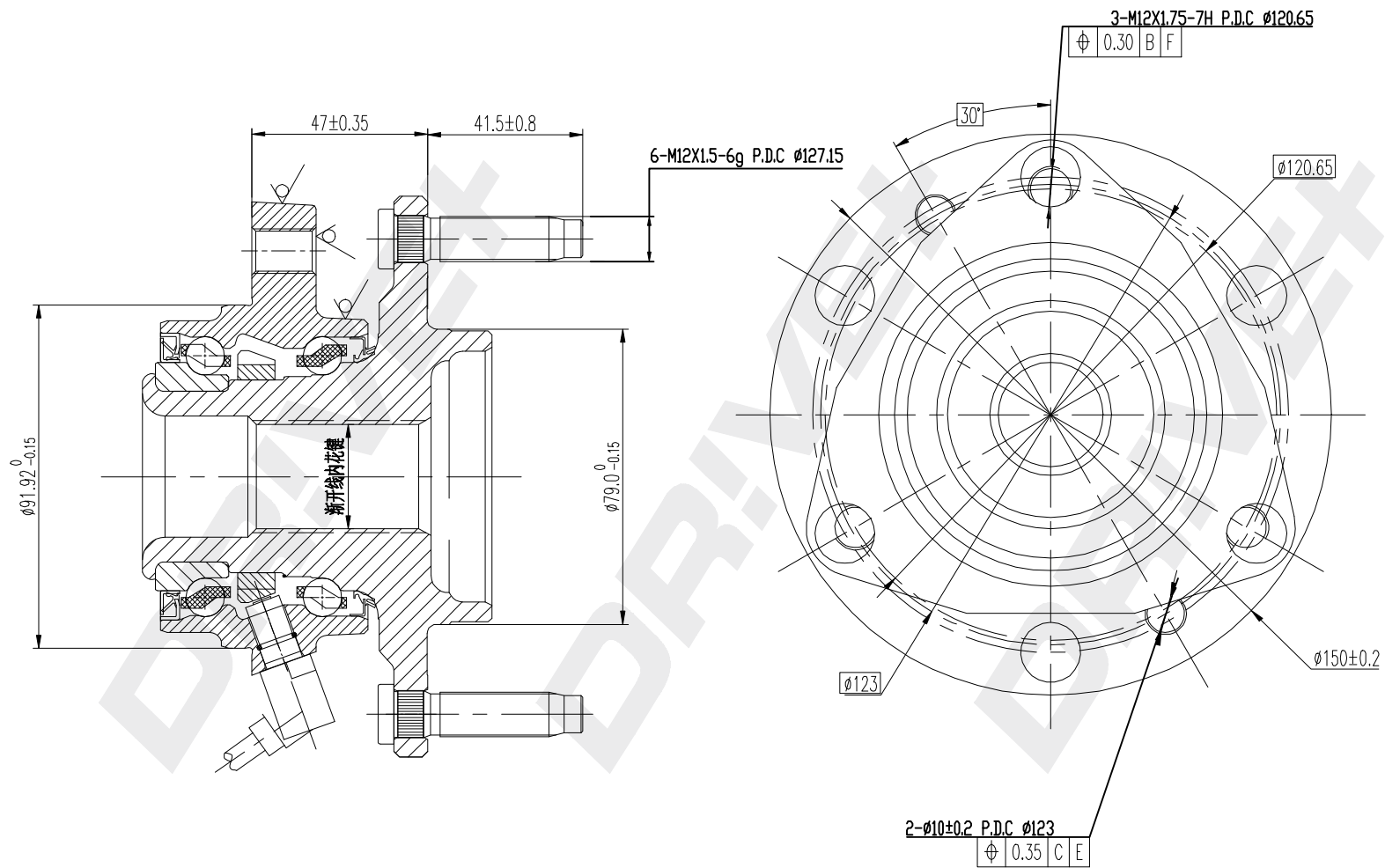


Involute spline	
TEETH	27
Modulus	1.05833
Pressure Angle	45°
Large diameter	$\phi 30.06^{+0.12}_0$
Small diameter	$\phi 27.94^{+0.12}_0$
Slot Width(max)	2.012
Slot Width(min)	1.875



DP Number	Part Number	Drawing Version Number	Drawing Issue Date	DRIVET
DP2010.10.0875	DRW0875	V1	2025.08.15	