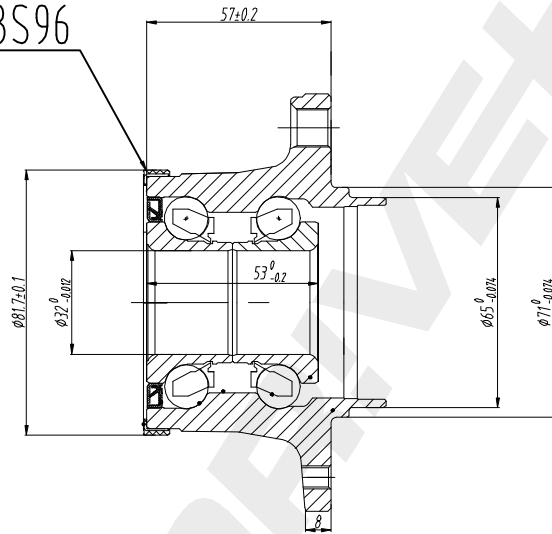
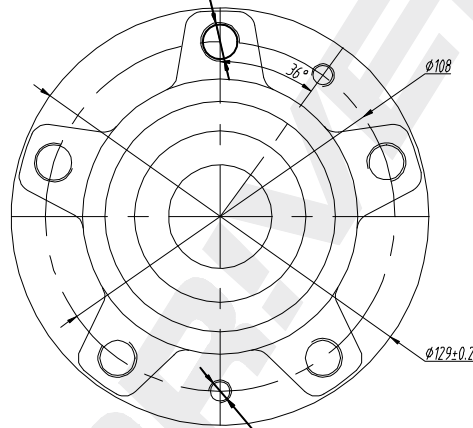


ABS96



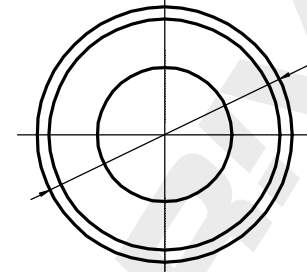
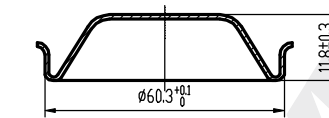
5-M12X1.25 P.D.C Ø108

⊕ Ø0.25(M) B(M) A

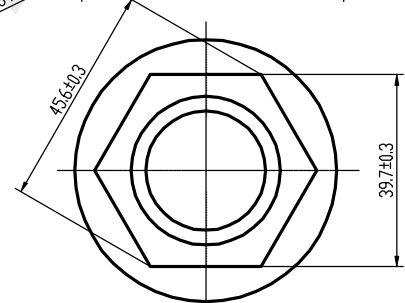
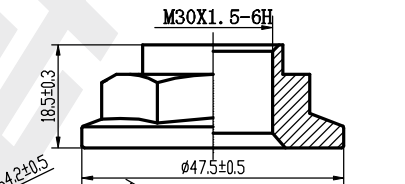


M6X1-6H P.D.C Ø108

⊕ Ø0.25(M) B(M) A



CAP 1PCS Galvanized



NUT 1PCS Galvanized

DP Number	Part Number	Drawing Version Number	Drawing Issue Date	<b>DRIVET</b>
DP2010.10.0957	DRW0957	V1	2025.07.03	